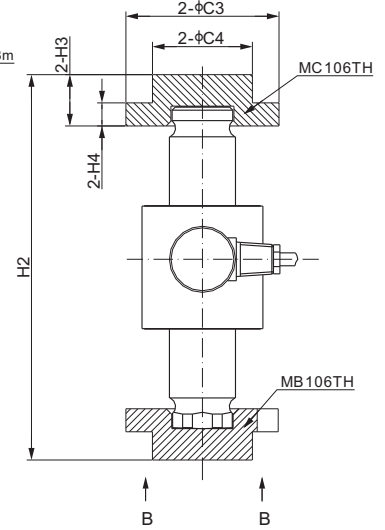
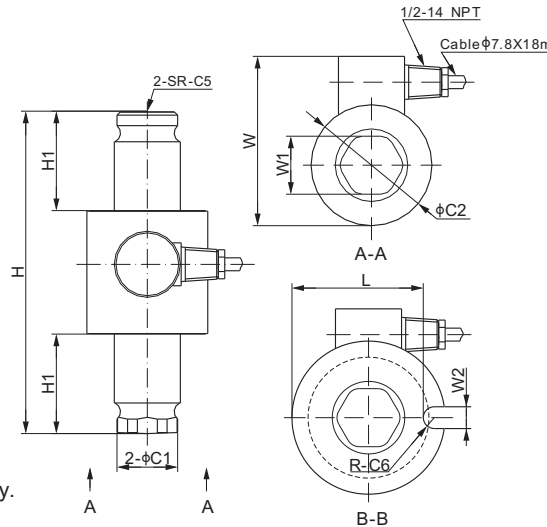




Mounting hardware to be ordered separately.



Material of both MB106TH & MC106TH is alloy steel with zinc plating

DIMENSIONS

RATED CAPACITY	C1	C2	C3	C4	C5	C6	H	H1	H2	H3	H4	L	W	W1	W2
Klb/inches															
50-100	1.48	2.95	3.74	2.44	11.02	0.27	7.88	2.43	9.41	1.25	0.56	3.21	4.13	1.40	0.53
t/mm															
30	37.6	75.0	95.0	62.0	280.0	6.75	200.0	61.7	239.0	31.8	14.3	81.5	105.0	35.5	13.5

SPECIFICATIONS

Full Scale Output	2.0 ± 0.1% mV/V	Recommended Excitation	10V (15V Maximum)
Zero Balance	± 0.02 mV/V	Insulation Resistance	>2 [50V DC] GΩ
Non-linearity	< ± 0.030%	Compensated Temperature Range	-10°C to 50°C / 14°F to 122°F
Repeatability	< ± 0.017%	Safe Overload	150% of full scale
Hysteresis Error	< ± 0.017%	Breaking Overload	300% of full scale
Creep in 30 min.	< ± 0.020%	Seal Type / IP Rating	Welded Seal / IP68
Input Resistance	1150 Ω ± 50	Cable Color Code	Exc+ Red Exc- Black Sig+ Green Sig- White Shield Bare
Output Resistance	1000 Ω ± 5		
Element Material	2Cr13 Stainless Steel		

PART NUMBER

Load Cell	Part No.	Shipping Weight (kg) Approx.
Rated Capacity		
50Klb.....	106TS-50Klb-YZ.....	5.8
100Klb.....	106TS-100Klb-YZ.....	6.8
30t.....	106TS-30t-YZ.....	5.8

Mounting Hardware

Mounting Hardware	Load Cell Capacity	Part No.	Shipping Weight (kg)
Mounting Cap.....	(50-100)Klb....	MC106TH-(50-100)Klb.....	1.1
Mounting Base.....	(50-100)Klb....	MB106TH-(50-100)Klb.....	1.1

INTERCHANGEABLE PRODUCTS

Manufacturer	Model
Mettler-Toledo.....	Powercell 760/MTX*

* Powercell 760 and MTX are digital load cells.



10t-50t: NTEP 1:10 000 Class III L, Multiple Cell



10t-50t: OIML MAA C3, Y=16 000