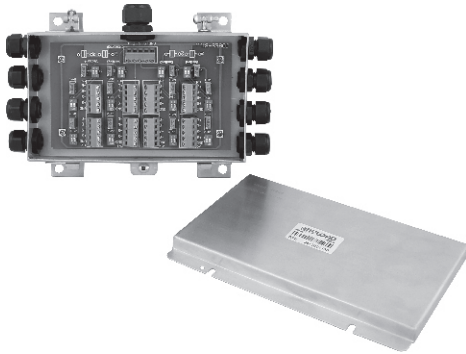
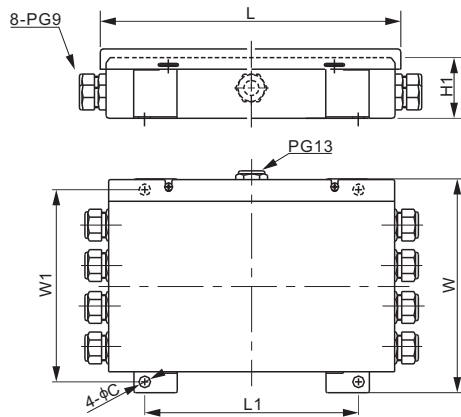
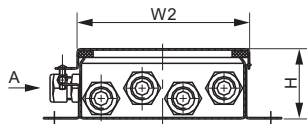


## Stainless Steel



### Features:

- Enclosure Material: Stainless steel SS304
- Number of cells: 2 - 8 single cells
- Trimming: Section or individual cell trim, with excitation or signal trim
- Equipped with independent adjustable resistors
- Patented never lost and integrated screw design
- IP Rating: IP65



### DIMENSIONS

	C	H	H1	L	L1	W	W1	W2
mm	8	45	40	200	149	149	135	119
inches	0.3	1.8	1.6	7.9	5.9	5.9	5.3	4.7

### SPECIFICATIONS

<b>Number of Cells</b>	2 - 8 single cells	<b>Trimming</b>	Section or individual cell trim, with excitation or signal trim
<b>Input Cable Fittings</b>	PG9: 4mm - 8mm diameter cable		
<b>Output Cable Fittings</b>	PG13: 6mm - 12mm diameter cable	<b>Enclosure Material</b>	Stainless steel SS304
		<b>IP Rating</b>	IP65

### PART NUMBER

Trimming	Section Trim	Lightning Protection	Part No.	Shipping Weight (kg) Approx.
Excitation.....Yes	.....No	.....No	J08ES.....	1.0
Signal.....Yes	.....No	.....No	J08SS.....	1.0
Excitation.....No	.....No	.....No	J08ES-I.....	1.0
Signal.....No	.....No	.....No	J08SS-I.....	1.0
Excitation.....No	.....Yes	.....No	J08ES-II.....	1.0
Signal.....No	.....Yes	.....No	J08SS-II.....	1.0
Excitation.....Yes	.....Yes	.....No	J08ES-III.....	1.0
Signal.....Yes	.....Yes	.....No	J08SS-III.....	1.0

### APPLICATION EXAMPLES

