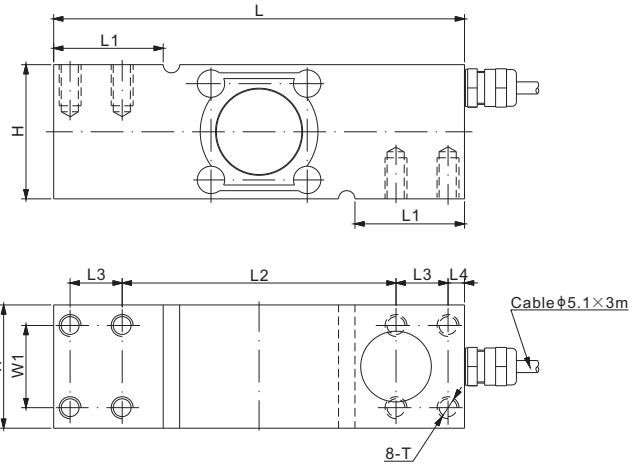
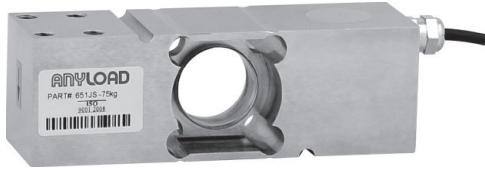


## Stainless Steel



### DIMENSIONS

RATED CAPACITY	H	L	L1	L2	L3	L4	W	W1	T
<b>kg/mm</b>									
50-400	49.0	150.0	40.0	100.0	19.0	6.0	45.0	30.0	M8 Depth15
<b>lb/inches</b> (conversion of above dimensions)									
110.2-881.9	1.9	5.9	1.6	3.9	0.75	0.2	1.8	1.2	M8 Depth0.6

### SPECIFICATIONS

<b>Full Scale Output</b>	2.0 mV/V ± 10%	<b>Recommended Excitation</b>	10V (15V Maximum)
<b>Zero Balance</b>	± 0.02 mV/V	<b>Reference Max. Platform Size</b>	600×600 mm
<b>Non-linearity</b>	< ± 0.03%	<b>Insulation Resistance</b>	>2 [ 50V DC ] GΩ
<b>Repeatability</b>	< ± 0.03%	<b>Compensated Temperature Range</b>	-10°C to 50°C / 14°F to 122°F
<b>Hysteresis Error</b>	< ± 0.02%	<b>Safe Overload</b>	150% of full scale
<b>Creep in 30 min.</b>	< ± 0.03%	<b>Breaking Overload</b>	300% of full scale
<b>Input Resistance</b>	1100Ω ± 50	<b>Seal Type / IP Rating</b>	Welded Seal / IP68/IP69K
<b>Output Resistance</b>	1000Ω ± 5	<b>Cable Color Code</b>	Exc+ Red    Exc- Black Sig+ Green    Sig- White    Shield Bare
<b>Element Material</b>	17-4PH Stainless Steel		

### PART NUMBER\*

Rated Capacity	Part No.	Weight (kg) Approx.
50kg.....	651JS-50kg .....	2.1
75kg.....	651JS-75kg .....	2.1
200kg.....	651JS-200kg.....	2.2
400kg.....	651JS-400kg.....	2.2

50kg - 75kg: NTEP 1:10 000 Class III, Single Cell;  
200kg - 400kg: NTEP 1:5 000 Class III, Single Cell;

50kg - 75kg: OIML MAA C9, Y=18 000;  
200kg - 400kg: OIML MAA C4, Y=26 000

\* ATEX, FM, IECEx approved versions carry the "-Ex" suffix.

### INTERCHANGEABLE REFERENCE

Model	Model
651JS-50kg .....	108JA-50kg*
651JS-75kg .....	108JA-75kg*
651JS-75kg .....	108JA-LE75kg*
651JS-200kg .....	108JA-SE200kg*
651JS-400kg .....	108JA-SE400kg*

\* Most dimensions are the same, except overall height (H on the drawing): 651JS all capacities at 49mm(1.9inch), while 108JA-50kg & 108JA-75kg 25mm(0.98inch), 108JA-LE75kg, 108JA-SE200kg, 108JA-SE400kg 40mm(1.57inch).