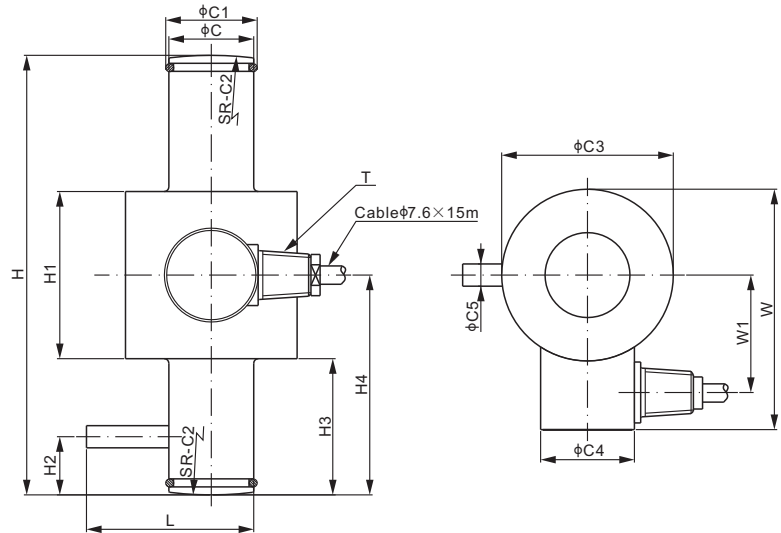


106RS-FB



Stainless Steel



DIMENSIONS

RATED CAPACITY	C	C1	C2	C3	C4	C5	H	H1	H2	H3	H4	L	W	W1	T
Klb/inches															
LE50	1.46	1.57	5.91	2.95	1.61	0.38	7.56	2.87	1.00	2.34	3.78	2.88	4.13	2.03	1/2-14 NPT
kg/mm (conversion of above dimensions)															
LE22,679.6	37.1	40	150	75.0	41.0	9.7	192	73.0	25.4	59.5	96.0	73.1	105	51.5	1/2-14 NPT

SPECIFICATIONS

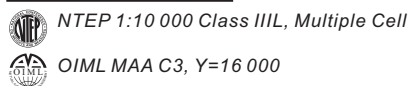
Full Scale Output	1.8 ± 0.1% mV/V	Recommended Excitation	10V (15V Maximum)
Zero Balance	± 0.02 mV/V	Insulation Resistance	>2 [50V DC] GΩ
Non-linearity	< ± 0.030%	Compensated Temperature Range	-10°C to 50°C / 14°F to 122°F
Repeatability	< ± 0.010%	Safe Overload	150% of full scale
Hysteresis Error	< ± 0.020%	Breaking Overload	300% of full scale
Creep in 30 min.	< ± 0.020%	Seal Type / IP Rating	Welded Seal / IP68
Input Resistance	1080 Ω ± 10	Cable Color Code	Exc+ Red Exc- Black Sig+ Green Sig- White Shield Bare
Output Resistance	1000 Ω ± 5		
Element Material	2Cr13 Stainless Steel		

PART NUMBER

Rated Capacity	Part No.	Shipping Weight (kg) Approx.
LE50Klb	106RS-FB-LE50Klb-YZ	3.5

INTERCHANGEABLE PRODUCTS

Manufacturer	Model
Coti Global	CG-S1
Fairbanks	LCFHR4020-2, Part# 64166
Flintec	RC1 250KN
Rice Lake	RL75114



CANISTERS & DISKS