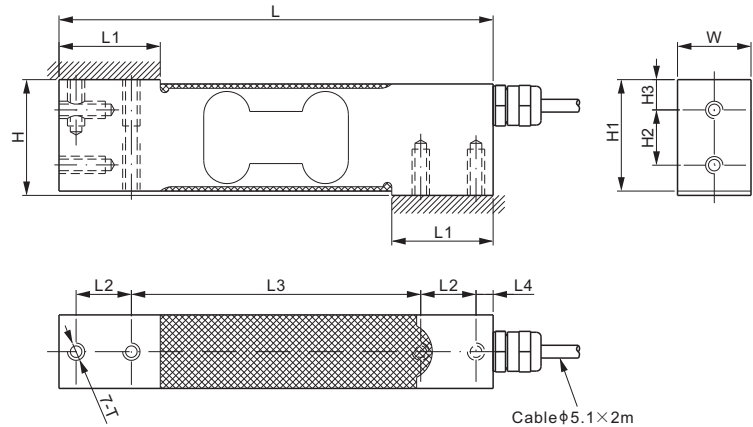
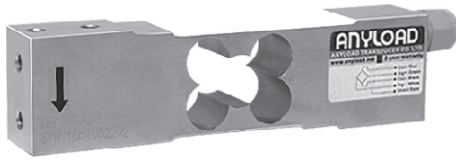


# 108TS; 108TSUN



## Stainless Steel



CE RoHS

### DIMENSIONS

RATED CAPACITY	H	H1	H2	H3	L	L1	L2	L3	L4	W	T
<b>108TS:</b> kg/mm											
5-150	40.0	38.5	19.1	10.5	150.0	35.0	19.1	100.0	5.9	25.4	M6 Depth 16
<b>lb/inches</b> (conversion of above dimensions)											
11.02-330.69	1.57	1.52	0.75	0.41	5.91	1.38	0.75	3.94	0.23	1.00	M6 Depth 0.63
<b>108TSUN:</b> kg/mm											
5-150	40.0	38.5	19.1	10.5	150.0	35.0	19.1	100.0	5.9	25.4	1/4-20UNC-2B Depth 16
<b>lb/inches</b> (conversion of above dimensions)											
11.02-330.69	1.57	1.52	0.75	0.41	5.91	1.38	0.75	3.94	0.23	1.00	1/4-20UNC-2B Depth 0.63

### SPECIFICATIONS

Full Scale Output	2.0 ± 10% mV/V	Recommended Excitation	10V (15V Maximum)
Zero Balance	± 0.02 mV/V	Reference Max. Platform Size	450 × 500 mm
Non-linearity	< ± 0.017%	Insulation Resistance	> 2 [ 50V DC ] GΩ
Repeatability	< ± 0.017%	Compensated Temperature Range	-10°C to 50°C / 14°F to 122°F
Hysteresis Error	< ± 0.017%	Safe Overload	150% of full scale
Creep in 30 min.	< ± 0.023%	Breaking Overload	300% of full scale
Input Resistance	385 Ω ± 15	Seal Type / IP Rating	Environmentally Sealed / IP66
Output Resistance	350 Ω ± 3	Cable Color Code	Exc+ Red    Exc- Black Sig+ Green    Sig- White    Shield Bare
Element Material	2Cr13 Stainless Steel		

### PART NUMBER

Rated Capacity	Part No.	Shipping Weight (kg) Approx.
5kg	108TS-5kg-YZ	0.9
	108TSUN-5kg-YZ	0.9
10kg	108TS-10kg-YZ	0.9
	108TSUN-10kg-YZ	0.9
15kg	108TS-15kg-YZ	0.9
	108TSUN-15kg-YZ	0.9
20kg	108TS-20kg-YZ	0.9
	108TSUN-20kg-YZ	0.9
30kg	108TS-30kg-YZ	1.0
	108TSUN-30kg-YZ	1.0
50kg	108TS-50kg-YZ	1.0
	108TSUN-50kg-YZ	1.0
75kg	108TS-75kg-YZ	1.0
	108TSUN-75kg-YZ	1.0
100kg	108TS-100kg-YZ	1.0
	108TSUN-100kg-YZ	1.0
150kg	108TS-150kg-YZ	1.0
	108TSUN-150kg-YZ	1.0

### INTERCHANGEABLE PRODUCTS

Manufacturer	Model
<b>108TS</b>	
Cardinal	TSSP*
FLINTEC	PC1 (30-100kg)
HBM	PW15A
Vishay Tedeá-Huntleigh	1142
<b>108TSUN</b>	
HBM	PW15
Rice Lake	RL1140
Rice Lake	RL1385**
Vishay Tedeá-Huntleigh	1140

\* The mounting hole TSSP is of M10

\*\* RL1385 comes with 3 mounting holes, 108TSUN comes with 2 mounting holes which match the outer 2 mounting holes of RL1385