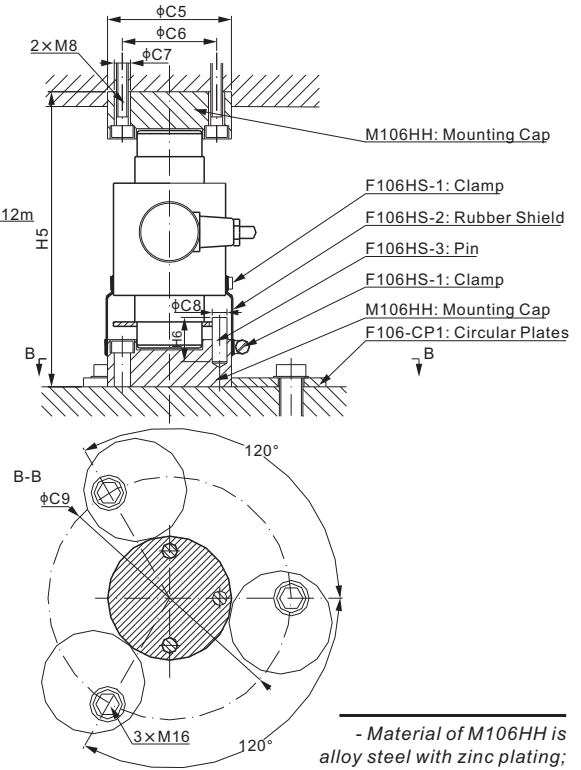
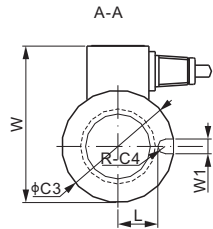
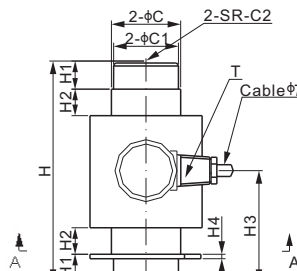


# 106HS



## Stainless Steel



**CE RoHS**

Mounting hardware to be ordered separately.

- Material of M106HH is alloy steel with zinc plating;  
 - Material of F106HS-1 is stainless steel;  
 - Material of F106HS-2 is rubber;  
 - Material of F106HS-3 & F106-CP1 is mild steel with zinc plating

### DIMENSIONS

RATED CAPACITY	C	C1	C2	C3	C4	C5	C6	C7	C8	C9	H	H1	H2	H3	H4	H5	L	W	W1	T	
t/mm																					
20	47	44	130	75	5	84	64	11	9.5	165	150	19	18	80	3	200	35	27	106	10	1/2-14 NPT
30	47	44	160	75	5	84	64	11	9.5	165	150	19	18	80	3	200	35	27	106	10	1/2-14 NPT
40	47	44	180	75	5	84	64	11	9.5	165	150	19	18	80	3	200	35	27	106	10	1/2-14 NPT

**lb/inches** (conversion of above dimensions)

44,092.5	1.85	1.73	5.12	2.95	0.20	3.31	2.52	0.43	0.37	6.50	5.91	0.75	0.71	3.15	0.12	7.87	1.38	1.06	4.17	0.39	1/2-14 NPT
66,138.7	1.85	1.73	6.30	2.95	0.20	3.31	2.52	0.43	0.37	6.50	5.91	0.75	0.71	3.15	0.12	7.87	1.38	1.06	4.17	0.39	1/2-14 NPT
88,184.9	1.85	1.73	7.09	2.95	0.20	3.31	2.52	0.43	0.37	6.50	5.91	0.75	0.71	3.15	0.12	7.87	1.38	1.06	4.17	0.39	1/2-14 NPT

SPECIFICATIONS			
Full Scale Output	2.0 ± 0.25% mV/V	Recommended Excitation	10V (15V Maximum)
Zero Balance	± 0.02 mV/V	Insulation Resistance	> 2 [ 50V DC ] GΩ
Non-linearity	< ± 0.023%	Compensated Temperature Range	-10°C to 50°C / 14°F to 122°F
Repeatability	< ± 0.023%	Safe Overload	150% of full scale
Hysteresis Error	< ± 0.023%	Breaking Overload	300% of full scale
Creep in 30 min.	< ± 0.030%	Seal Type / IP Rating	Welded Seal / IP68
Input Resistance	700Ω ± 20	Cable Color Code	Exc+ Red      Exc- Black
Output Resistance	705Ω ± 5		Sig+ Green    Sig- White
Element Material	2Cr13 Stainless Steel		Shield Bare

### PART NUMBER

Load Cell	Part No.	Shipping Weight (kg) Approx.
Rated Capacity		
20t.....	106HS-20t-YZ.....	3.1
30t.....	106HS-30t-YZ.....	3.1
40t.....	106HS-40t-YZ.....	3.1

Mounting Hardware	Load Cell Capacity	Part No.	Shipping Weight (kg)
Mounting Cap.....	(20-40)t....	M106HH-(20-40)t.....	1.3
Mounting Kit* .....	(20-40)t.....	106HS-(20-40)t-PARTS...	3.2

\* Mounting kit includes: 2 pcs Mounting Caps, 2 pcs Clamps, 1 pcs Rubber Shield, 1 pcs Pin, 3 pcs Circular Plates.

### INTERCHANGEABLE PRODUCTS

Manufacturer	Model
Coti Global.....	CG-26S4
HBM.....	C16
Vishay Revere Transducers.....	ASC*

\* 106HS with mounts is interchangeable with ASC load cell with mounts.

- 10t-50t: NTEP 1:10 000 Class III L, Multiple Cell
- 10t-50t: OIML MAA C3, Y=16 000

CANISTERS & DISKS