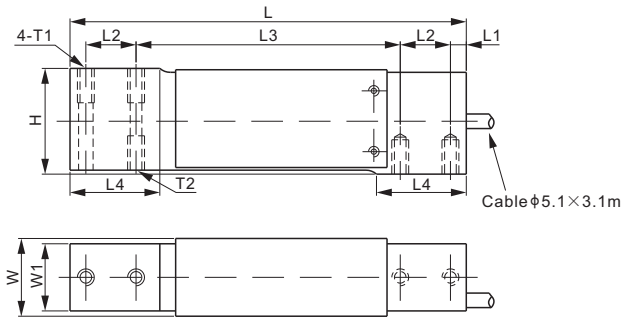


651TA; 651TAUN



Aluminum



DIMENSIONS

RATED CAPACITY	H	L	L1	L2	L3	L4	W	W1	T1	T2
651TA:										
kg/mm										
10-200	40.0	150.0	6.0	19.0	100.0	34.0	29.4	25.4	M6 Depth13	M6 Depth13
lb/inches (conversion of above dimensions)										
22.05-440.92	1.57	5.91	0.23	0.75	3.94	1.34	1.16	1.00	M6 Depth0.51	M6 Depth0.51
651TAUN:										
kg/mm										
10-200	40.0	150.0	6.0	19.0	100.0	34.0	29.4	25.4	1/4-20 UNC Depth13	1/4-28 UNF Depth13
lb/inches (conversion of above dimensions)										
22.05-440.92	1.57	5.91	0.23	0.75	3.94	1.34	1.16	1.00	1/4-20 UNC Depth0.51	1/4-28 UNF Depth0.51

SPECIFICATIONS

Full Scale Output	2.0 ± 10% mV/V	Recommended Excitation	10V (15V Maximum)
Zero Balance	± 0.02 mV/V	Reference Max. Platform Size	450 × 500 mm
Non-linearity	< ± 0.017%	Insulation Resistance	> 2 [50V DC] GΩ
Repeatability	< ± 0.017%	Nominal Temperature Range	-10°C to 40°C / 14°F to 104°F
Hysteresis Error	< ± 0.017%	Safe Overload	150% of full scale
Creep in 30 min.	< ± 0.023%	Breaking Overload	300% of full scale
Input Resistance	415Ω ± 15	Seal Type / IP Rating	Environmentally Sealed, Potted / IP67
Output Resistance	350Ω ± 3	Cable Color Code	Exc+ Red Exc- Black Sig+ Green Sig- White Shield Bare
Element Material	Aluminum		

PART NUMBER

Rated Capacity	Part No.	Shipping Weight (kg) Approx.
10kg.....	651TA-10kg.....	0.5
	651TAUN-10kg.....	0.5
15kg.....	651TA-15kg.....	0.5
	651TAUN-15kg.....	0.5
20kg.....	651TA-20kg.....	0.5
	651TAUN-20kg.....	0.5
30kg.....	651TA-30kg.....	0.5
	651TAUN-30kg.....	0.5
50kg.....	651TA-50kg.....	0.5
	651TAUN-50kg.....	0.5
75kg.....	651TA-75kg.....	0.5
	651TAUN-75kg.....	0.5
100kg.....	651TA-100kg.....	0.5
	651TAUN-100kg.....	0.5
200kg.....	651TA-200kg.....	0.5
	651TAUN-200kg.....	0.5

INTERCHANGEABLE PRODUCTS

Manufacturer	Model
651TAUN	
Coti Global.....	CG-40
Mettler-Toledo.....	MT1041
Rice Lake.....	RL1040
Vishay Celtron.....	LOC
Vishay Tedeo-Huntleigh.....	1040
Vishay Tedeo-Huntleigh.....	1041

SINGLE POINTS