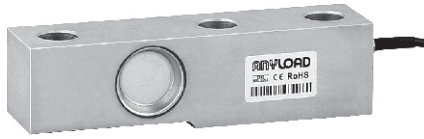
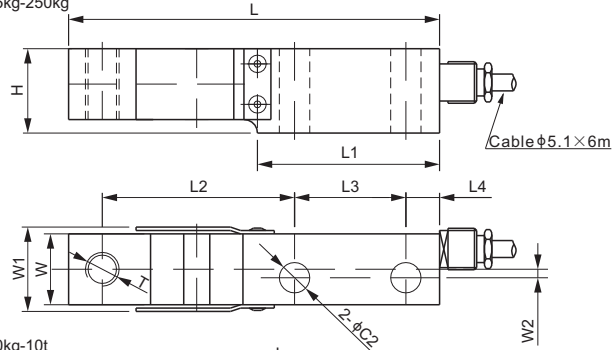


## 563YHFK

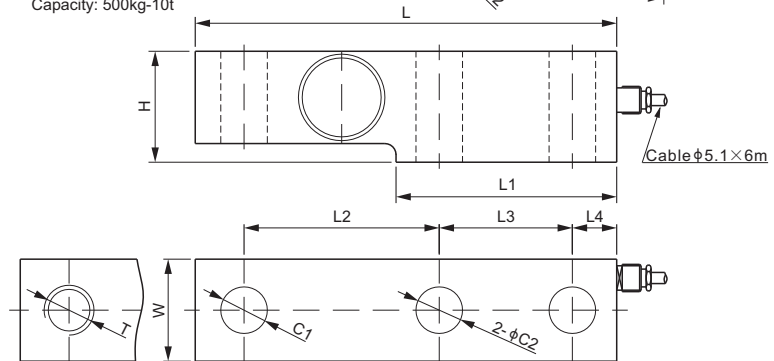
### Alloy Steel



Capacity: 125kg-250kg



Capacity: 500kg-10t



### DIMENSIONS

RATED CAPACITY	C1	C2	H	L	L1	L2	L3	L4	W	W1	W2	T
<b>kg/mm</b>												
125-250	-	9	25	110	54	57	33	10	21	25	2.5	M10
500-1,000	-	11	32	125	63	61.5	38	13	29	-	-	M12
2,500-5,000	21	21	50	190	99.5	88	60	20	46	-	-	-
10,000	26	26	66	227	117	117	60	25	50	-	-	-
<b>lb/inches</b> (conversion of above dimensions)												
276-551	-	0.35	0.98	4.33	2.13	2.24	1.30	0.39	0.83	0.98	0.10	M10
1,102-2,205	-	0.43	1.26	4.92	2.48	2.42	1.50	0.51	1.14	-	-	M12
5,512-11,023	0.83	0.83	1.97	7.48	3.92	3.46	2.36	0.79	1.81	-	-	-
22,046	1.02	1.02	2.60	8.94	4.61	4.61	2.36	0.98	1.97	-	-	-

### SPECIFICATIONS

<b>Full Scale Output</b>	125kg, 250kg, 500kg, 10t: 2.2 ± 0.25% mV/V	<b>Recommended Excitation</b>	10V (15V Maximum)
	1t, 2.5t, 5t: 2.2 ± 0.05% mV/V	<b>Insulation Resistance</b>	>2 [ 50V DC ] GΩ
<b>Zero Balance</b>	± 0.02 mV/V	<b>Compensated Temperature Range</b>	-10°C to 50°C / 14°F to 122°F
<b>Non-linearity</b>	< ± 0.017%	<b>Safe Overload</b>	150% of full scale
<b>Repeatability</b>	< ± 0.017%	<b>Breaking Overload</b>	300% of full scale
<b>Hysteresis Error</b>	< ± 0.017%	<b>Seal Type / IP Rating</b>	Environmentally Sealed / IP67
<b>Creep in 30 min.</b>	< ± 0.023%	<b>Cable Color Code</b>	Exc+ Red    Exc- Black Sig+ Green    Sig- White Shield Bare
<b>Input Resistance</b>	385Ω ± 15		
<b>Output Resistance</b>	350Ω ± 3		
<b>Element Material</b>	Alloy Steel, Nickel Plated		

### PART NUMBER

Rated Capacity	Part No.	Shipping Weight (kg) Approx.
125kg	563YHFK-125kg	0.6
250kg	563YHFK-250kg	0.6
500kg	563YHFK-500kg	1.0
1t	563YHFK-1t	1.0
2.5t	563YHFK-2.5t	2.8
5t	563YHFK-5t	3.0
10t	563YHFK-10t	4.9

### INTERCHANGEABLE PRODUCTS

ANYLOAD Part No.	Kelba Model
563YHFK-125kg	KA125N
563YHFK-250kg	KA250N
563YHFK-500kg	KA500N
563YHFK-1t	KA1000N
563YHFK-2.5t	KA2500N
563YHFK-5t	KA5000N
563YHFK-10t	KA10000N

5t-10t: OIML MAA C6, Y=85 000



Pending