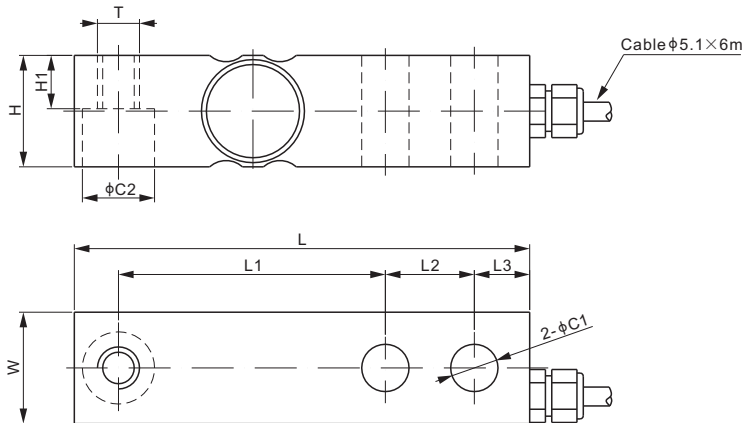


# 563YA



## Aluminum



SINGLE ENDED BEAMS



### DIMENSIONS

| RATED CAPACITY                                | C1   | C2   | H    | H1   | L    | L1   | L2   | L3   | T             | W    |
|---|------|------|------|------|------|------|------|------|---------------|------|
| <b>lb/inches</b>                              |      |      |      |      |      |      |      |      |               |      |
| 200; 300                                      | 0.53 | 0.81 | 1.25 | 0.60 | 5.12 | 3.00 | 1.00 | 0.62 | 1/2-20 UNF-2B | 1.25 |
| <b>kg/mm</b> (conversion of above dimensions) |      |      |      |      |      |      |      |      |               |      |
| 90.7; 136.1                                   | 13.5 | 20.6 | 31.8 | 15.2 | 130  | 76.2 | 25.4 | 15.8 | 1/2-20 UNF-2B | 31.8 |

### SPECIFICATIONS

|                   |                  |                           |                               |
|-------------------|------------------|---------------------------|-------------------------------|
| Full Scale Output | 3.0 ± 0.25% mV/V | Recommended Excitation    | 10V (15V Maximum)             |
| Zero Balance      | ± 0.02 mV/V      | Insulation Resistance     | > 2 [ 50V DC ] GΩ             |
| Non-linearity     | < ± 0.017%       | Nominal Temperature Range | -10°C to 40°C / 14°F to 104°F |
| Repeatability     | < ± 0.017%       | Safe Overload             | 150% of full scale            |
| Hysteresis Error  | < ± 0.017%       | Breaking Overload         | 300% of full scale            |
| Creep in 30 min.  | < ± 0.023%       | Seal Type / IP Rating     | Environmentally Sealed / IP67 |
| Input Resistance  | 350 Ω ± 7        | Cable Color Code          | Exc+ Red      Exc- Black      |
| Output Resistance | 350 Ω ± 3        |                           | Sig+ Green    Sig- White      |
| Element Material  | Aluminum         |                           | Shield Bare                   |

### PART NUMBER

| Rated Capacity | Part No.         | Shipping Weight (kg) Approx. |
|----------------|------------------|------------------------------|
| 200lb.....     | 563YA-200lb..... | 0.6                          |
| 300lb.....     | 563YA-300lb..... | 0.6                          |

### INTERCHANGEABLE PRODUCTS

| Manufacturer                 | Model |
|------------------------------|-------|
| Vishay Tedeo-Huntleigh ..... | 3310* |

\* Interchangeable with Vishay Tedeo-Huntleigh 3310 imperial thread