

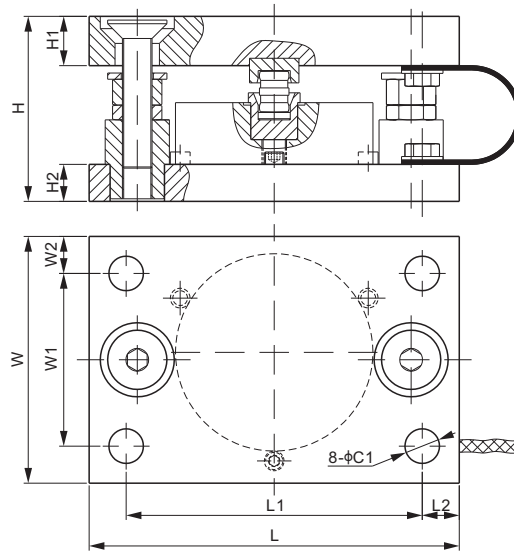
Features:

- Assembles: 363RS compression load cell
- Capacities: 500kg-10t
- Self-checking with anti-lifting protection
- Rocker pin design allows for multi-directional movements
- Equipped with jacking bolts
- Equipped with lateral stops

Load Cell Certifications:



Load Cell Not Included.



DIMENSIONS

| LOAD CELL CAPACITY | C1 | H | H1 | H2 | L | L1 | L2 | W | W1 | W2 |
|---|------|-------|------|------|-------|-------|------|-------|------|------|
| kg/mm | | | | | | | | | | |
| 500-1,000 | 14.0 | 75.0 | 20.0 | 15.0 | 150.0 | 120.0 | 15.0 | 100.0 | 70.0 | 15.0 |
| 2,000-5,000 | 16.0 | 100.0 | 20.0 | 20.0 | 160.0 | 120.0 | 20.0 | 110.0 | 70.0 | 20.0 |
| 10,000 | 18.0 | 110.0 | 30.0 | 20.0 | 210.0 | 175.0 | 17.5 | 120.0 | 85.0 | 17.5 |
| lb/inches (conversion of above dimensions) | | | | | | | | | | |
| 1,102-2,205 | 0.55 | 2.95 | 0.79 | 0.59 | 5.91 | 4.72 | 0.59 | 3.94 | 2.76 | 0.59 |
| 4,409-11,023 | 0.63 | 3.94 | 0.79 | 0.79 | 6.30 | 4.72 | 0.79 | 4.33 | 2.76 | 0.79 |
| 22,046 | 0.71 | 4.33 | 1.18 | 0.79 | 8.27 | 6.89 | 0.69 | 4.72 | 3.35 | 0.69 |

PART NUMBER

| Load Cell Capacity | Part No. | Shipping Weight (kg) Approx. |
|--------------------|-----------------------|------------------------------|
| 500kg-1t..... | 363RSM1-(0.5-1)t..... | 4.5 |
| 2t-5t..... | 363RSM1-(2-5)t..... | 6.0 |
| 10t..... | 363RSM1-10t..... | 10.5 |

INTERCHANGEABLE PRODUCTS

| Manufacturer | Model |
|--------------------------------|----------------|
| Mettler-Toledo..... | Ringmount 0970 |
| Vishay Revere Transducers..... | RLC Mount |