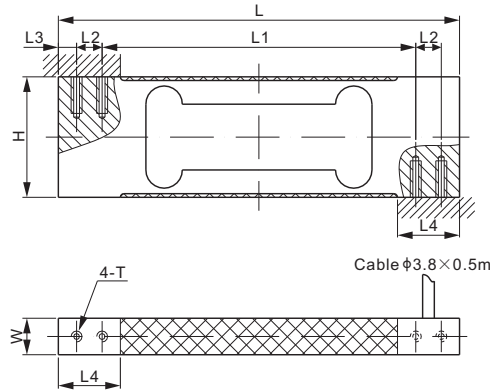
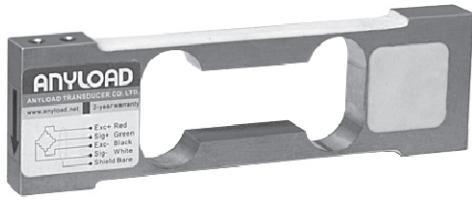


Aluminum



DIMENSIONS

RATED CAPACITY	H	L	L1	L2	L3	L4	W	T
kg/mm								
0.2	33.0	110.0	86.0	7.0	5.0	18.0	5.0	M3 Depth12
0.3-0.6	33.0	110.0	86.0	7.0	5.0	18.0	9.0	M3 Depth12
0.75-6	33.0	110.0	86.0	7.0	5.0	18.0	10.0	M3 Depth12
lb/inches (conversion of above dimensions)								
0.44	1.30	4.33	3.39	0.28	0.20	0.71	0.20	M3 Depth0.47
0.66-1.32	1.30	4.33	3.39	0.28	0.20	0.71	0.35	M3 Depth0.47
1.65-13.23	1.30	4.33	3.39	0.28	0.20	0.71	0.39	M3 Depth0.47

SPECIFICATIONS

Full Scale Output	1.0 ± 20% mV/V	Recommended Excitation	10V (15V Maximum)
Zero Balance	± 0.02 mV/V	Reference Max. Platform Size	Capacity < 1kg: 200 × 200 mm Capacity ≥ 1kg: 230 × 230 mm
Non-linearity	Cap. < 1kg: < ± 0.023%; Cap. ≥ 1kg: < ± 0.017%	Insulation Resistance	> 2 [50V DC] GΩ
Repeatability	Cap. < 1kg: < ± 0.023%; Cap. ≥ 1kg: < ± 0.017%	Nominal Temperature Range	-10°C to 40°C / 14°F to 104°F
Hysteresis Error	Cap. < 1kg: < ± 0.023%; Cap. ≥ 1kg: < ± 0.017%	Safe Overload	150% of full scale
Creep in 30 min.	Cap. < 1kg: < ± 0.050%; Cap. ≥ 1kg: < ± 0.023%	Breaking Overload	300% of full scale
Input Resistance	415Ω ± 15	Seal Type / IP Rating	Environmentally Sealed / IP66
Output Resistance	350Ω ± 3	Cable Color Code	Exc+ Red Exc- Black Sig+ Green Sig- White Shield Bare
Element Material	Aluminum		

PART NUMBER

Rated Capacity	Part No.	Shipping Weight (kg) Approx.
200g	108PA-200g	0.1
300g	108PA-300g	0.1
600g	108PA-600g	0.1
1kg	108PA-1kg	0.1
2kg	108PA-2kg	0.1
3kg	108PA-3kg	0.1
6kg	108PA-6kg	0.1

INTERCHANGEABLE PRODUCTS

Manufacturer	Model
HBM	SPL
Vishay TedeA-Huntleigh	1004

OIML 6kg-500kg: OIML C3