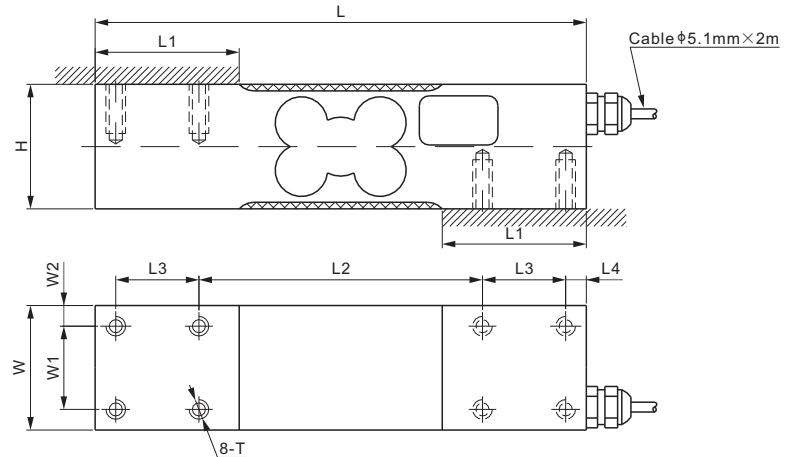
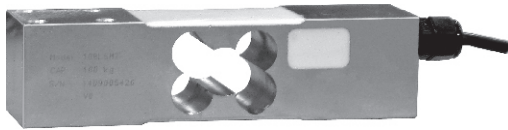


108LSMT



Stainless Steel



CE RoHS

DIMENSIONS

RATED CAPACITY	H	L	L1	L2	L3	L4	W	W1	W2	T
kg/mm										
30-300	38.0	150.0	44.0	86.6	25.4	6.3	38.0	25.4	6.3	M6 Depth 15
lb/inches (conversion of above dimensions)										
66-661	1.50	5.91	1.73	3.41	1.00	0.25	1.50	1.00	0.25	M6 Depth 0.59

SPECIFICATIONS

Full Scale Output	2.0 ± 10% mV/V	Recommended Excitation	10V (15V Maximum)
Zero Balance	± 0.02 mV/V	Reference Max. Platform Size	500 × 500 mm
Non-linearity	< ± 0.017%	Insulation Resistance	> 2 [50V DC] GΩ
Repeatability	< ± 0.017%	Compensated Temperature Range	-10°C to 50°C / 14°F to 122°F
Hysteresis Error	< ± 0.017%	Safe Overload	150% of full scale
Creep in 30 min.	< ± 0.023%	Breaking Overload	300% of full scale
Input Resistance	385Ω ± 15	Seal Type / IP Rating	Environmentally Sealed / IP66
Output Resistance	350Ω ± 3	Cable Color Code	Exc+ Red Exc- Black Sig+ Green Sig- White Shield Bare
Element Material	2Cr13 Stainless Steel		

PART NUMBER

Rated Capacity	Part No.	Shipping Weight (kg) Approx.
30kg.....	108LSMT-30kg-YZ.....	1.4
50kg.....	108LSMT-50kg-YZ.....	1.4
100kg.....	108LSMT-100kg-YZ.....	1.4
200kg.....	108LSMT-200kg-YZ.....	1.5
300kg.....	108LSMT-300kg-YZ.....	1.5

INTERCHANGEABLE PRODUCTS

Manufacturer	Model
Mettler-Toledo.....	MT1241*
Mettler-Toledo.....	SSP1241

* MT1241 is of aluminum construction

SINGLE POINTS