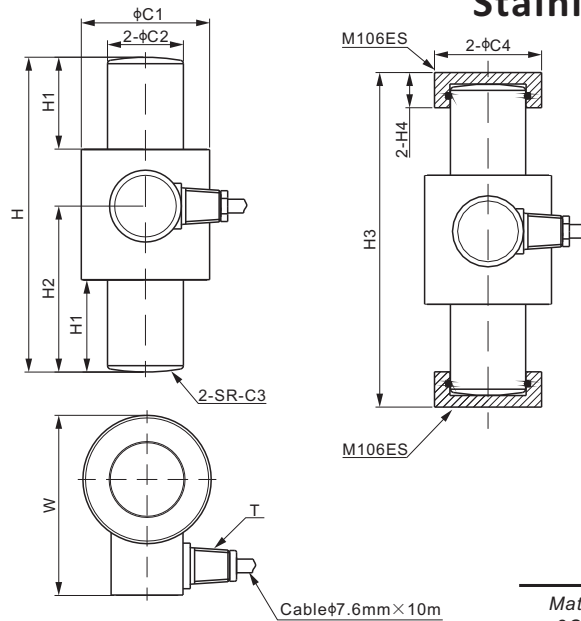




CE RoHS

Mounting hardware to be ordered separately.



Material of M106ES is 2Cr13 stainless steel

DIMENSIONS

RATED CAPACITY	C1	C2	C3	C4	H	H1	H2	H3	H4	W	T
Klb/inches											
50-100	2.95	1.73	11.0	2.49	7.25	2.09	3.82	7.78	0.82	4.18	1/2-14 NPT
kg/mm (conversion of above dimensions)											
22,680-45,360	75.0	44.4	280.0	63.3	184.0	53.0	97.0	197.6	20.8	106.2	1/2-14 NPT

SPECIFICATIONS

Full Scale Output	2.0 ± 1% mV/V	Recommended Excitation	10V (15V Maximum)
Zero Balance	± 0.02 mV/V	Insulation Resistance	>2 [50V DC] GΩ
Non-linearity	< ± 0.030%	Compensated Temperature Range	-10°C to 50°C / 14°F to 122°F
Repeatability	< ± 0.023%	Safe Overload	150% of full scale
Hysteresis Error	< ± 0.023%	Breaking Overload	300% of full scale
Creep in 30 min.	< ± 0.030%	Seal Type / IP Rating	Welded Seal / IP68
Input Resistance	1100Ω ± 50	Cable Color Code	Exc+ Red Exc- Black
Output Resistance	1000Ω ± 10		Sig+ Green Sig- White
Element Material	2Cr13 Stainless Steel		Shield Bare

PART NUMBER

Load Cell
Rated Capacity **Part No.** **Shipping Weight (kg) Approx.**

50Klb.....106ES-50Klb-YZ.....5.2
 100Klb.....106ES-100Klb-YZ.....5.2

Mounting Hardware

Mounting Hardware **Load Cell Capacity** **Part No.** **Shipping Weight (kg)**

Mounting Cap....(50-100)Klb....M106ES-(50-100)Klb-YZ....0.3

INTERCHANGEABLE PRODUCTS

Manufacturer **Model**

Cardinal.....SCA
 Coti Global.....CG-26S

10t-50t: NTEP 1:10 000 Class IIIIL, Multiple Cell

10t-50t: OIML MAA C3, Y=16 000