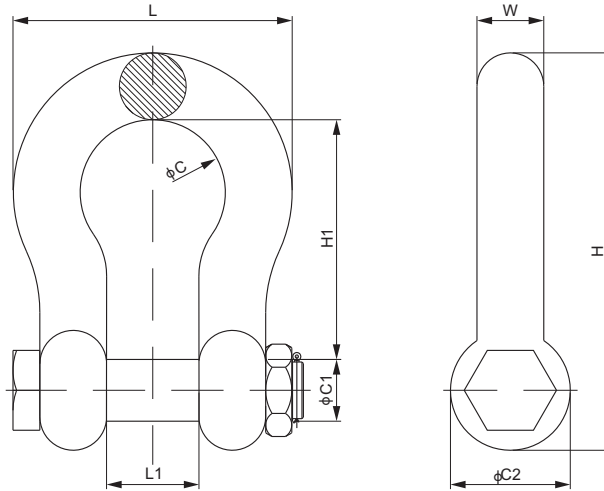


**Shackle, Alloy Steel**



**Features:**

- Work capacity from 2t to 150t
- Test load: 200% rated capacity
- Breaking load: 400% rated capacity



**DIMENSIONS**

PART NUMBER	C	C1	C2	H	H1	L	L1	W	Safe Working Load	Shipping Weight
<b>mm</b>										
SBX-2t	33	16	30	84	48	59	20.5	13	2t	0.35kg
SBX-3.25t	42.9	19.1	38.1	106	60.5	74.5	26.9	16	3.25t	0.76kg
SBX-4.75t	51	22.4	46	126	71.5	89	31.8	19.1	4.75t	1.23kg
SBX-6.5t	58	25.4	53	148	84	102	36.6	22.4	6.5t	1.79kg
SBX-9.5t	74	31.8	68.5	190	108	131	46	28.7	9.5t	3.75kg
SBX-12t	82.6	35.1	76.2	210	119	146	52	31.8	12t	5.31kg
SBX-13.5t	92	38.1	84	233	133	162	57	35.1	13.5t	7.18kg
SBX-17t	98.5	41.4	92	254	146	175	60.5	38.1	17t	9.43kg
SBX-25t	127	51	106	313	178	225	73	44.5	25t	15.38kg
SBX-35t	146	57	122	348	197	253	82.5	51	35t	23.70kg
SBX-55t	184	70	145	453	267	327	105	66.5	55t	44.57kg
SBX-85t	200	82.5	165	546	330	365	127	76	85t	69.85kg
SBX-120t	229	95.5	203	626	372	419	133	92	120t	120.2kg
SBX-150t	254	108	229	653	368	468	140	104	150t	153.32kg
<b>inches (conversion of above dimensions)</b>										
SBX-2t	1.30	0.63	1.18	3.31	1.89	2.32	0.81	0.51	4.4Klb	0.77lb
SBX-3.25t	1.69	0.75	1.5	4.17	2.38	2.93	1.06	0.63	7.17Klb	1.68lb
SBX-4.75t	2.01	0.88	1.81	4.96	2.81	3.5	1.5	0.75	10.47Klb	2.71lb
SBX-6.5t	2.28	1	2.09	5.83	3.31	4.02	1.44	0.88	14.33Klb	3.95lb
SBX-9.5t	2.91	1.25	2.7	7.48	4.25	5.16	1.8	1.13	20.94Klb	8.27lb
SBX-12t	3.25	1.38	3.0	8.27	4.69	5.75	2.05	1.25	26.46Klb	11.71lb
SBX-13.5t	3.62	1.5	3.31	9.17	5.24	6.38	2.24	1.38	29.76Klb	15.83lb
SBX-17t	3.88	1.63	3.62	10	5.75	6.89	2.38	1.5	37.48Klb	20.79lb
SBX-25t	5	2.01	4.17	12.32	7.01	8.86	2.87	1.75	55.12Klb	33.91lb
SBX-35t	5.75	2.24	4.8	13.7	7.76	9.96	3.25	2.01	77.16Klb	52.25lb
SBX-55t	7.24	2.76	5.71	17.83	10.51	12.87	4.13	2.62	121.25Klb	98.26lb
SBX-85t	7.87	3.25	6.5	21.5	12.99	14.37	5	2.99	187.39Klb	153.99lb
SBX-120t	9.02	3.76	7.99	24.65	14.65	16.5	5.24	3.62	264.55Klb	265.0lb
SBX-150t	10	4.25	9.02	25.71	14.49	18.43	5.51	4.09	330.69Klb	338.01lb

Remark: L1 has a tolerance of +/-2mm for L1≤43mm, +/-3mm for 46mm≤L1≤60.5mm, +/-4mm for 73mm≤L1≤82.5mm, and +/-5mm for 105mm≤L1≤140mm