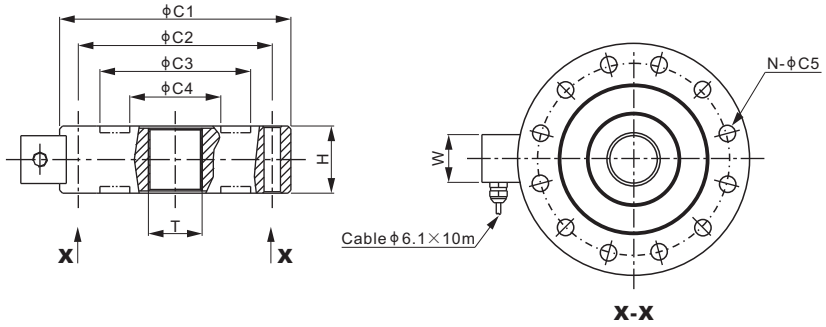
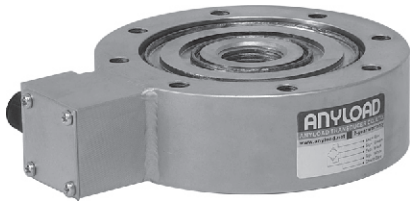


363YH



Alloy Steel



CE RoHS

Mounting hardware to be ordered separately.

DIMENSIONS

| RATED CAPACITY | C1 | C2 | C3 | C4 | C5 | N | H | W | T |
|---|-------|-------|-------|-------|------|----|-------|------|--------|
| kg/mm | | | | | | | | | |
| 1,000-5,000 | 113.0 | 97.0 | 76.0 | 42.0 | 7 | 8 | 35.0 | 32.0 | M24X2 |
| 10,000; 20,000 | 155.0 | 130.0 | 101.0 | 61.0 | 11 | 12 | 45.0 | 32.0 | M36X2 |
| 30,000 | 180.0 | 150.0 | 120.0 | 80.0 | 13 | 12 | 58.0 | 32.0 | M42X2 |
| 50,000 | 205.0 | 165.0 | 120.0 | 80.0 | 13 | 16 | 64.0 | 32.0 | M42X2 |
| 100,000 | 280.0 | 228.0 | 176.0 | 124.0 | 17 | 16 | 90.0 | 48.0 | M70X3 |
| 150,000; 200,000 | 296.0 | 256.0 | 217.0 | 139.0 | 22 | 16 | 120.0 | 48.0 | M90X3 |
| 300,000 | 346.0 | 282.0 | 236.0 | 180.0 | 26 | 16 | 180.0 | 48.0 | M120X3 |
| lb/inches (conversion of above dimensions) | | | | | | | | | |
| 2,204.6-11,023.1 | 4.45 | 3.82 | 2.99 | 1.65 | 0.28 | 8 | 1.38 | 1.26 | M24X2 |
| 22,046.2; 44,092.5 | 6.10 | 5.12 | 3.98 | 2.40 | 0.43 | 12 | 1.77 | 1.26 | M36X2 |
| 66,138.7 | 7.09 | 5.91 | 4.72 | 3.15 | 0.51 | 12 | 2.28 | 1.26 | M42X2 |
| 110,231.1 | 8.07 | 6.50 | 4.72 | 3.15 | 0.51 | 16 | 2.52 | 1.26 | M42X2 |
| 220,462.3 | 11.02 | 8.98 | 6.93 | 4.88 | 0.67 | 16 | 3.54 | 1.89 | M70X3 |
| 330,693.4; 440,924.5 | 11.65 | 10.08 | 8.54 | 5.47 | 0.87 | 16 | 4.72 | 1.89 | M90X3 |
| 661,386.8 | 13.62 | 11.10 | 9.29 | 7.09 | 1.02 | 16 | 7.09 | 1.89 | M120X3 |

SPECIFICATIONS

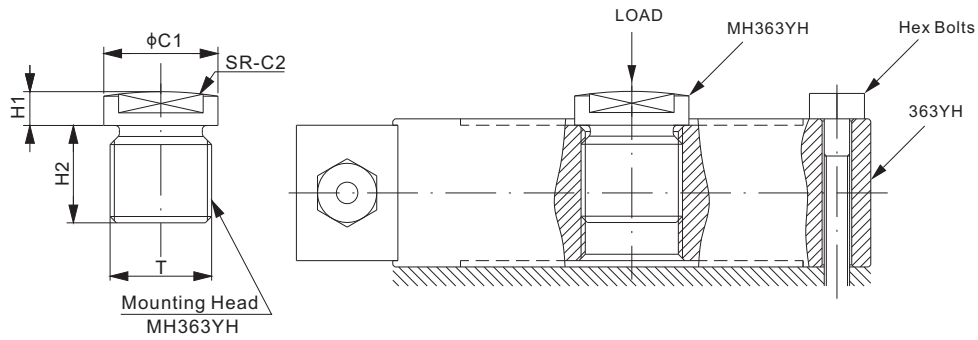
| | | | |
|--------------------------|--|--------------------------------------|-------------------------------|
| Full Scale Output | 2.0 ± 1% mV/V | Recommended Excitation | 10V (15V Maximum) |
| Zero Balance | < ± 0.02 mV/V | Insulation Resistance | > 2 [50V DC] GΩ |
| Non-linearity | Cap. ≤ 5t: < ± 0.050%; Cap. ≥ 10t: < ± 0.30% | Compensated Temperature Range | -10°C to 50°C / 14°F to 122°F |
| Repeatability | Cap. ≤ 5t: < ± 0.030%; Cap. ≥ 10t: < ± 0.20% | Safe Overload | 150% of full scale |
| Hysteresis Error | Cap. ≤ 5t: < ± 0.050%; Cap. ≥ 10t: < ± 0.30% | Breaking Overload | 300% of full scale |
| Creep in 30 min. | Cap. ≤ 5t: < ± 0.050%; Cap. ≥ 10t: < ± 0.10% | Seal Type / IP Rating | Welded Seal / IP67 |
| Input Resistance | 770Ω ± 30 | Cable Color Code | Exc+ Red Exc- Black |
| Output Resistance | 700Ω ± 5 | | Sig+ Green Sig- White |
| Element Material | Alloy Steel, Nickel Plated | | Shield Bare |

PART NUMBER

| Rated Capacity | Part No. | Shipping Weight (kg) Approx. |
|----------------|-----------------|------------------------------|
| 1t..... | 363YH-1t..... | 3.0 |
| 2t..... | 363YH-2t..... | 3.0 |
| 3t..... | 363YH-3t..... | 3.0 |
| 5t..... | 363YH-5t..... | 3.0 |
| 10t..... | 363YH-10t..... | 6.0 |
| 20t..... | 363YH-20t..... | 6.0 |
| 30t..... | 363YH-30t..... | 9.0 |
| 50t..... | 363YH-50t..... | 14.0 |
| 100t..... | 363YH-100t..... | 37.0 |
| 150t..... | 363YH-150t..... | 47.0 |
| 200t..... | 363YH-200t..... | 47.0 |
| 300t..... | 363YH-300t..... | 120.0 |

CANISTERS & DISKS

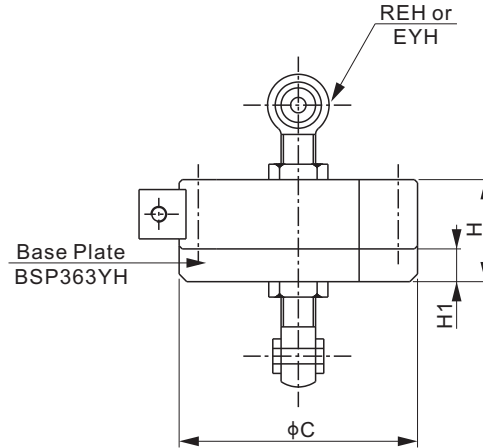
Mounting Variation 1 MH363YH



DIMENSIONS

| PART NUMBER | LOAD CELL CAPACITY | C1 | C2 | H1 | H2 | T |
|--------------------|---|-------|-------|------|------|--------|
| | t/mm | | | | | |
| MH363YH-(1-5)t | 1-5 | 27.0 | 85.0 | 8.0 | 25.0 | M24X2 |
| MH363YH-(10-20)t | 10; 20 | 45.0 | 150.0 | 22.0 | 38.0 | M36X2 |
| MH363YH-30t | 30 | 54.0 | 180.0 | 32.0 | 48.0 | M42X2 |
| MH363YH-50t | 50 | 64.0 | 200.0 | 42.0 | 54.0 | M42X2 |
| MH363YH-100t | 100 | 102.0 | 300.0 | 48.0 | 79.0 | M70X3 |
| MH363YH-(150-200)t | 150; 200 | 136.0 | 300.0 | 60.0 | 79.0 | M90X3 |
| MH363YH-300t | 300 | 160.0 | 500.0 | 80.0 | 90.0 | M120X3 |
| | lb/inches (conversion of above dimensions) | | | | | |
| MH363YH-(1-5)t | 2,204.6-11,023.1 | 1.06 | 3.35 | 0.31 | 0.98 | M24X2 |
| MH363YH-(10-20)t | 22,046.2; 44,092.5 | 1.77 | 5.91 | 0.87 | 1.50 | M36X2 |
| MH363YH-30t | 66,138.7 | 2.13 | 7.09 | 1.26 | 1.89 | M42X2 |
| MH363YH-50t | 110,231.1 | 2.52 | 7.87 | 1.65 | 2.13 | M42X2 |
| MH363YH-100t | 220,462.3 | 4.02 | 11.81 | 1.89 | 3.11 | M70X3 |
| MH363YH-(150-200)t | 330,693.4; 440,924.5 | 5.35 | 11.81 | 2.36 | 3.11 | M90X3 |
| MH363YH-300t | 661,386.8 | 6.30 | 19.69 | 3.15 | 3.54 | M120X3 |

Mounting Variation 2 REH or EYH+ BSP363YH



DIMENSIONS

| PART NUMBER | LOAD CELL CAPACITY | C | H | H1 | Matching REH or EYH |
|-------------------|---|-------|-------|------|---------------------|
| | t/mm | | | | |
| BSP363YH-(1-5)t | 1-5 | 113.0 | 64.0 | 29.0 | REH-M24 |
| BSP363YH-(10-20)t | 10; 20 | 155.0 | 90.0 | 45.0 | EYH-M36 |
| BSP363YH-30t | 30 | 180.0 | 108.0 | 50.0 | EYH-M42 |
| BSP363YH-50t | 50 | 205.0 | 114.0 | 50.0 | EYH-M42 |
| | lb/inches (conversion of above dimensions) | | | | |
| BSP363YH-(1-5)t | 2,204.6-11,023.1 | 4.45 | 2.52 | 1.14 | REH-M24 |
| BSP363YH-(10-20)t | 22,046.2; 44,092.5 | 6.10 | 3.54 | 1.77 | EYH-M36 |
| BSP363YH-30t | 66,138.7 | 7.09 | 4.25 | 1.97 | EYH-M42 |
| BSP363YH-50t | 110,231.1 | 8.07 | 4.49 | 1.97 | EYH-M42 |