

CE RoHS

Mounting hardware to be ordered separately.

DIMENSIONS

RATED CAPACITY	C1	C2	C3	C4	H	H1	T
266AA							
kg/mm							
25-50	62.0	55.0	12.0	50.0	22.0	4.0	M5 Depth7.0
lb/inches (conversion of above dimensions)							
55.12-110.23	2.44	2.17	0.47	1.97	0.87	0.16	M5 Depth0.28
266AH							
kg/mm							
100-2,000	62.0	55.0	12.0	50.0	22.0	4.0	M5 Depth7.0
5,000	98.0	72.0	20.0	150.0	40.0	5.0	M6 Depth13.0
10,000	98.0	72.0	20.0	150.0	45.0	5.0	M6 Depth13.0
20,000	118.0	90.0	20.0	250.0	50.0	5.0	M8 Depth15.0
30,000	138.0	115.0	20.0	250.0	73.0	8.0	M10 Depth15.0
lb/inches (conversion of above dimensions)							
220.5-4,409.2	2.44	2.17	0.47	1.97	0.87	0.16	M5 Depth0.28
11,023.1	3.86	2.83	0.79	5.91	1.57	0.20	M6 Depth0.51
22,046.2	3.86	2.83	0.79	5.91	1.77	0.20	M6 Depth0.51
44,092.5	4.65	3.54	0.79	9.84	1.97	0.20	M8 Depth0.59
66,138.7	5.43	4.53	0.79	9.84	2.87	0.31	M10 Depth0.59

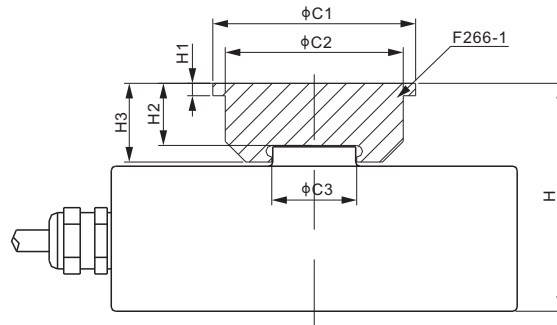
SPECIFICATIONS

Full Scale Output	2.0 \pm 1% mV/V	Recommended Excitation	10V (15V Maximum)
Zero Balance	$< \pm 0.02$ mV/V	Insulation Resistance	> 2 [50V DC] G Ω
Non-linearity	Cap. $\leq 2t$: $< \pm 0.2\%$; Cap. $\geq 5t$: $< \pm 0.05\%$	Compensated Temperature Range	-10°C to 50°C / 14°F to 122°F
Repeatability	Cap. $\leq 2t$: $< \pm 0.03\%$; Cap. $\geq 5t$: $< \pm 0.03\%$	Safe Overload	150% of full scale
Hysteresis Error	Cap. $\leq 2t$: $< \pm 0.1\%$; Cap. $\geq 5t$: $< \pm 0.05\%$	Breaking Overload	300% of full scale
Creep in 30 min.	Cap. $\leq 2t$: $< \pm 0.1\%$; Cap. $\geq 5t$: $< \pm 0.05\%$	Seal Type / IP Rating	Welded Seal / IP67
Input Resistance	Cap. $\leq 2t$: 400 $\Omega \pm 20$; Cap. $\geq 5t$: 770 $\Omega \pm 30$	Cable Color Code	Exc+ Red Exc- Black Sig+ Green Sig- White Shield Bare
Output Resistance	Cap. $\leq 2t$: 350 $\Omega \pm 3$; Cap. $\geq 5t$: 700 $\Omega \pm 5$		
Element Material	Aluminum / Alloy Steel, Nickel Plated		

PART NUMBER

Rated Capacity	Part No.	Shipping Weight (kg) Approx.
25kg.....	266AA-25kg.....	0.3
50kg.....	266AA-50kg.....	0.3
100kg.....	266AH-100kg.....	0.5
200kg.....	266AH-200kg.....	0.5
250kg.....	266AH-250kg.....	0.5
500kg.....	266AH-500kg.....	0.5
1t.....	266AH-1t.....	0.5
2t.....	266AH-2t.....	0.5
5t.....	266AH-5t.....	2.4
10t.....	266AH-10t.....	2.7
20t.....	266AH-20t.....	4.3
30t.....	266AH-30t.....	8.3

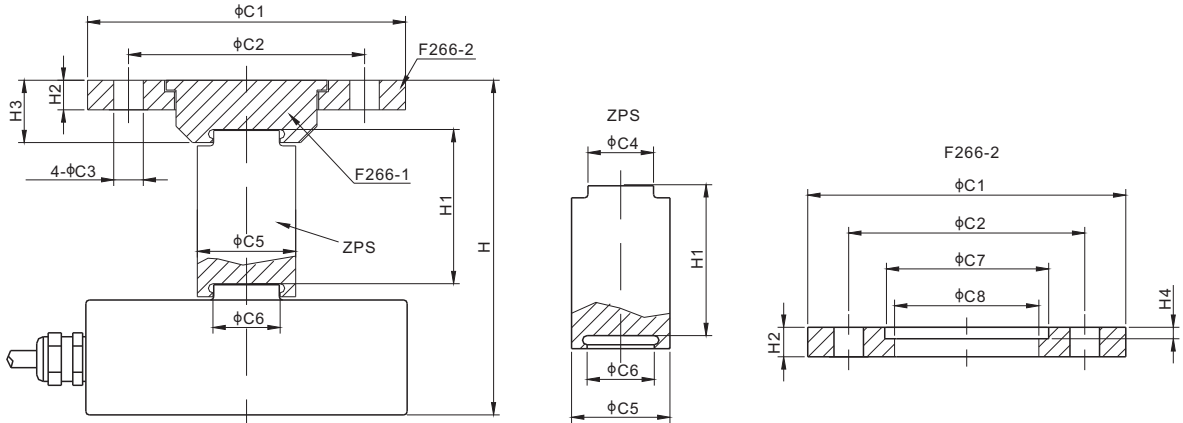
Mounting Variation 1 F266-1



DIMENSIONS

PART NUMBER	LOAD CELL CAPACITY	C1	C2	C3	H	H1	H2	H3
	kg/mm							
F266-1B	25-2,000	41.0	35.0	13.8	35.1	3.0	13.1	16.0
F266-1C	5,000	49.0	43.0	20.5	55.1	3.0	15.1	19.0
F266-1C	10,000	49.0	43.0	20.5	60.1	3.0	15.1	19.0
F266-1D	20,000	60.0	54.0	20.5	70.1	3.0	20.1	24.0
F266-1D	30,000	60.0	54.0	20.5	93.1	3.0	20.1	24.0
	lb/inches (conversion of above dimensions)							
F266-1B	55.1-4,409.2	1.61	1.38	0.54	1.38	0.12	0.52	0.63
F266-1C	11,023.1	1.93	1.69	0.81	2.17	0.12	0.59	0.75
F266-1C	22,046.2	1.93	1.69	0.81	2.37	0.12	0.59	0.75
F266-1D	44,092.5	2.36	2.13	0.81	2.76	0.12	0.79	0.95
F266-1D	66,138.7	2.36	2.13	0.81	3.67	0.12	0.79	0.95

Mounting Variation 2 F266-1 + F266-2 + ZPS



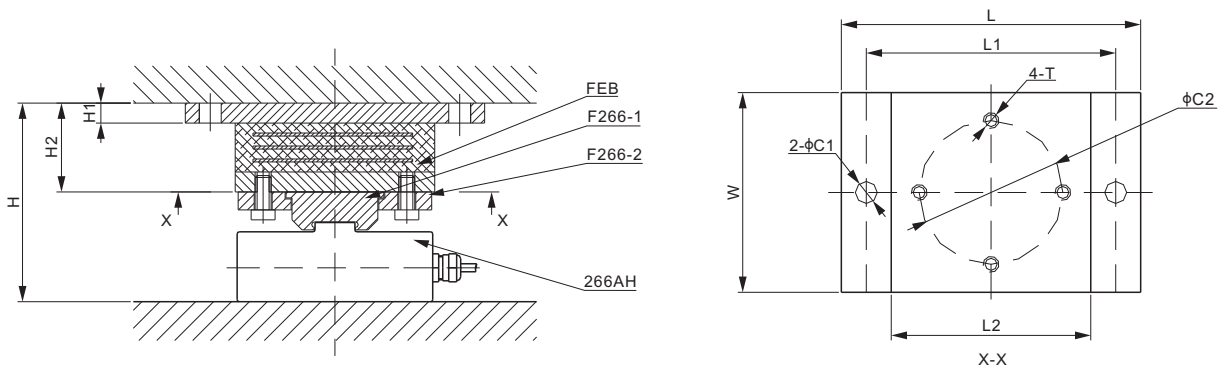
DIMENSIONS

LOAD CELL CAPACITY	C1	C2	C3	C4	C5	C6	C7	C8	H	H1	H2	H3	H4
kg/mm													
25-2,000	81.0	60.0	7.0	13.0	26.0	12.5	42.0	36.0	81.1	46.0	7.0	16.0	3.5
5,000	97.0	72.0	11.0	20.0	32.0	20.5	50.0	44.0	111.1	56.0	9.0	19.0	3.5
10,000	97.0	72.0	11.0	20.0	32.0	20.5	50.0	44.0	116.1	56.0	9.0	19.0	3.5
20,000	115.0	90.0	13.0	20.0	36.0	20.5	61.0	55.0	134.6	64.5	10.0	24.0	3.5
30,000	115.0	90.0	13.0	20.0	36.0	20.5	61.0	55.0	157.6	64.5	10.0	24.0	3.5
	lb/inches (conversion of above dimensions)												
55.1-4,409.2	3.19	2.36	0.28	0.51	1.02	0.49	1.65	1.42	3.19	1.81	0.28	0.63	0.14
11,023.1	3.82	2.83	0.43	0.79	1.26	0.81	1.97	1.73	4.37	2.20	0.35	0.75	0.14
22,046.2	3.82	2.83	0.43	0.79	1.26	0.81	1.97	1.73	4.57	2.20	0.35	0.75	0.14
44,092.5	4.53	3.54	0.51	0.79	1.42	0.81	2.40	2.17	5.30	2.54	0.39	0.95	0.14
66,138.7	4.53	3.54	0.51	0.79	1.42	0.81	2.40	2.17	6.21	2.54	0.39	0.95	0.14

PART NUMBER

Load Cell Capacity	F266-1 Part No.	F266-2 Part No.	ZPS Part No.
25kg-2t.....	F266-1B.....	F266-2B.....	ZPS-B
5t; 10t.....	F266-1C.....	F266-2C.....	ZPS-C
20t; 30t.....	F266-1D.....	F266-2D.....	ZPS-D

Mounting Variation 3 F266-1 + F266-2 + FEB



DIMENSIONS

LOAD CELL CAPACITY	C1	C2	H	H1	H2	L	L1	L2	W	T
kg/mm										
50-2,000	9.0	60.0	75.1	8.0	40.0	140.0	110.0	80.0	80.0	M6
5,000	11.0	72.0	99.6	10.0	44.5	180.0	150.0	120.0	120.0	M10
10,000	11.0	72.0	104.6	10.0	44.5	180.0	150.0	120.0	120.0	M10
20,000	13.0	90.0	120.1	12.0	50.0	270.0	240.0	200.0	200.0	M12
30,000	13.0	90.0	143.1	12.0	50.0	270.0	240.0	200.0	200.0	M12
lb/inches (conversion of above dimensions)										
1,102.3-4,409.2	0.35	2.36	2.96	0.31	1.58	5.52	4.33	3.15	3.15	M6
11,023.1	0.43	2.84	3.92	0.39	1.75	7.09	5.91	4.73	4.73	M10
22,046.2	0.43	2.84	4.12	0.39	1.75	7.09	5.91	4.73	4.73	M10
44,092.5	0.51	3.55	4.73	0.47	1.97	10.64	9.46	7.88	7.88	M12
66,138.7	0.51	3.55	5.64	0.47	1.97	10.64	9.46	7.88	7.88	M12

PART NUMBER

Load Cell Capacity	F266-1 Part No.	F266-2 Part No.	FEB Part No.
25kg-2t.....	F266-1B.....	F266-2B.....	FEB-B
5t; 10t.....	F266-1C.....	F266-2C.....	FEB-C
20t; 30t.....	F266-1D.....	F266-2D.....	FEB-D