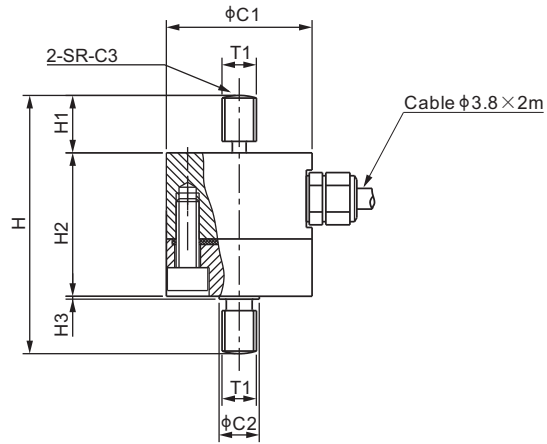


247BS



Stainless Steel



DIMENSIONS

RATED CAPACITY	C1	C2	C3	H	H1	H2	H3	T1
kg/mm								
20-100	25.4	7.0	10	45.0	10.0	25.0	0.5	M6
lb/inches (conversion of above dimensions)								
44.1-220.5	1.00	0.28	0.39	1.77	0.39	0.98	0.02	M6

SPECIFICATIONS

Full Scale Output	1.0 ± 20% mV/V	Recommended Excitation	10V (15V Maximum)
Zero Balance	± 0.02 mV/V	Insulation Resistance	>2 [50V DC] GΩ
Non-linearity	< ± 0.3%	Compensated Temperature Range	-10°C to 50°C / 14°F to 122°F
Repeatability	< ± 0.1%	Safe Overload	150% of full scale
Hysteresis Error	< ± 0.1%	Breaking Overload	300% of full scale
Creep in 30 min.	< ± 0.1%	Seal Type / IP Rating	Environmentally Sealed / IP66
Input Resistance	400Ω ± 20	Cable Color Code	Exc+ Red Exc- Black
Output Resistance	350Ω ± 3		Sig+ Green Sig- White
Element Material	17-4PH Stainless Steel		Shield Bare

PART NUMBER

Rated Capacity	Part No.	Shipping Weight (kg) Approx.
20kg.....	247BS-20kg.....	0.13
30kg.....	247BS-30kg.....	0.13
50kg.....	247BS-50kg.....	0.13
100kg.....	247BS-100kg.....	0.13

LOAD BUTTONS