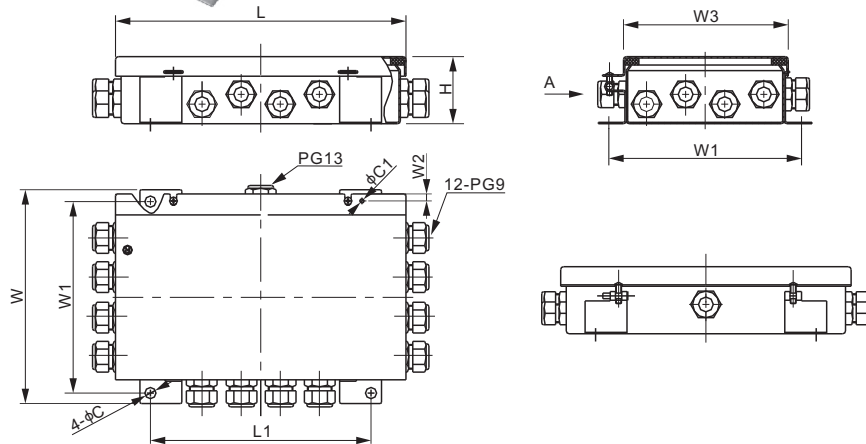


### Features:

- Enclosure Material: Stainless steel SS304
- Number of cells: 2 - 12 single cells
- Trimming: Section or individual cell trim, with excitation or signal trim
- Equipped with independent adjustable resistors
- Patented never lost and integrated screw design
- IP Rating: IP65



### DIMENSIONS

	C	C1	H	L	L1	W	W1	W2	W3
mm	8	2	45	198	150	174	159	5	150
inches	0.3	0.1	1.8	7.8	5.9	6.9	6.3	0.2	5.9

### SPECIFICATIONS

Number of Cells	2 - 12 single cells	Trimming	Section or individual cell trim, with excitation or signal trim
Input Cable Fittings	PG9: 4mm - 8mm diameter cable		
Output Cable Fittings	PG13: 6mm - 12mm diameter cable	Enclosure Material	Stainless steel SS304
		IP Rating	IP65

### PART NUMBER

Trimming	Section Trim	Lightning Protection	Part No.	Shipping Weight (kg) Approx.
Excitation.....Yes	.....No	.....No	J12ES.....	1.2
Signal.....Yes	.....No	.....No	J12SS.....	1.2
Excitation.....No	.....No	.....No	J12ES-I.....	1.2
Signal.....No	.....No	.....No	J12SS-I.....	1.2
Excitation.....No	.....Yes	.....No	J12ES-II.....	1.2
Signal.....No	.....Yes	.....No	J12SS-II.....	1.2
Excitation.....Yes	.....Yes	.....No	J12ES-III.....	1.2
Signal.....Yes	.....Yes	.....No	J12SS-III.....	1.2

### APPLICATION EXAMPLES

