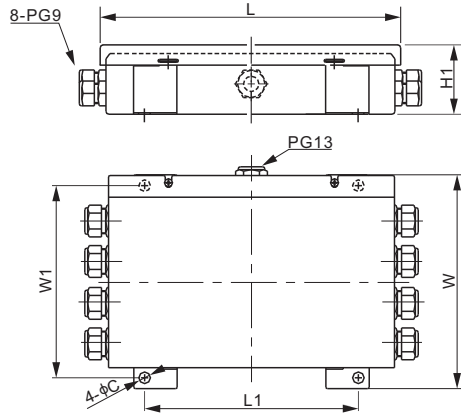
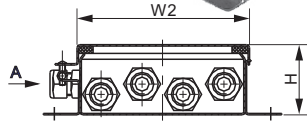
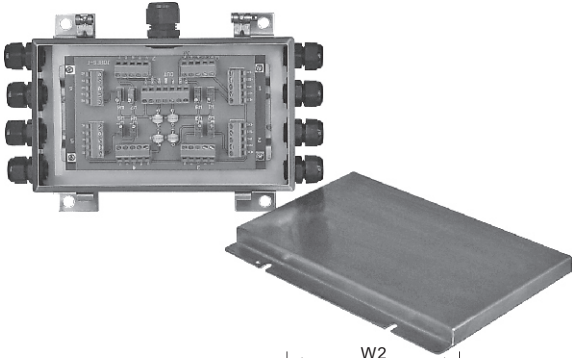


J08ES; J08SS

Stainless Steel



Features:

- Enclosure Material: Stainless steel SS304
- Number of cells: 2 - 8 single cells
- Trimming: Section or individual cell trim, with excitation or signal trim
- Equipped with independent adjustable resistors
- Patented never lost and integrated screw design
- IP Rating: IP65

DIMENSIONS

	C	H	H1	L	L1	W	W1	W2
mm	8	48	44	200	149	149	135	119
inches	0.3	1.9	1.7	7.9	5.9	5.9	5.3	4.7

SPECIFICATIONS

Number of Cells	2 - 8 single cells	Trimming	Section or individual cell trim, with excitation or signal trim
Input Cable Fittings	PG9: 4mm - 8mm diameter cable		
Output Cable Fittings	PG13: 6mm - 12mm diameter cable	Enclosure Material	Stainless steel SS304
		IP Rating	IP65

PART NUMBER

Trimming	Section Trim	Lightning Protection	Part No.	Shipping Weight (kg) Approx.
Excitation.....YesNoNo	J08ES.....	1.0
Signal.....YesNoNo	J08SS.....	1.0
Excitation.....NoNoNo	J08ES-I.....	1.0
Signal.....NoNoNo	J08SS-I.....	1.0
Excitation.....NoYesNo	J08ES-II.....	1.0
Signal.....NoYesNo	J08SS-II.....	1.0
Excitation.....YesYesNo	J08ES-III.....	1.0
Signal.....YesYesNo	J08SS-III.....	1.0

APPLICATION EXAMPLES

