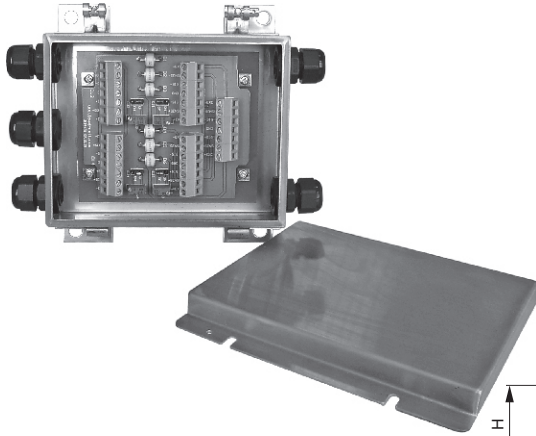
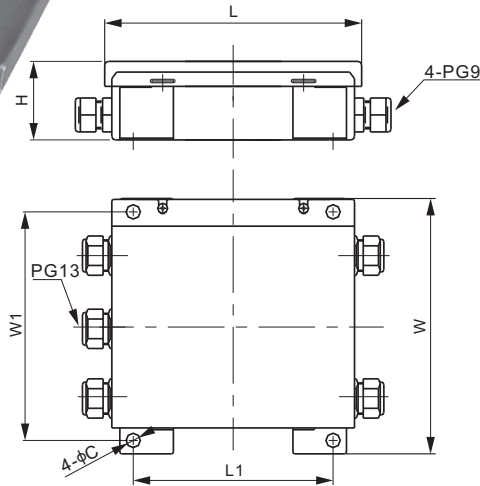


Stainless Steel



Features:

- Enclosure Material: Stainless steel SS304
- Number of cells: 2 - 4 single cells
- Trimming: Individual cell with excitation or signal trim
- Equipped with independent adjustable resistors
- Patented never lost and integrated screw design
- IP Rating: IP65



DIMENSIONS

	C	H	L	L1	W	W1
mm	8	44	144	112	142	128
inches	0.3	1.7	5.7	4.4	5.6	5.0

SPECIFICATIONS

Number of Cells	2 - 4 single cells	Trimming	Individual cell with excitation or signal trim
Input Cable Fittings	PG9: 4mm - 8mm diameter cable	Enclosure Material	Stainless steel SS304
Output Cable Fittings	PG13: 6mm - 12mm diameter cable	IP Rating	IP65

PART NUMBER

Trimming	Lightning Protection	Part No.	Shipping Weight (kg) Approx.
Excitation.....No.....		J04ES.....	0.8
Signal.....No.....		J04SS.....	0.8
Excitation.....Yes.....		J04ES-II.....	0.8
Signal.....Yes.....		J04SS-II.....	0.8

APPLICATION EXAMPLES

