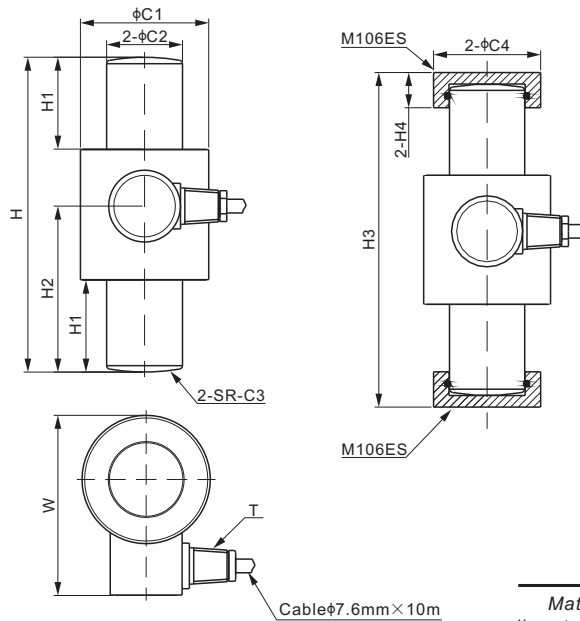


106ES

Stainless Steel



Material of M106ES is alloy steel with zinc plating



Mounting hardware to be ordered separately.

DIMENSIONS

| RATED CAPACITY | C1 | C2 | C3 | C4 | H | H1 | H2 | H3 | H4 | L | W | T |
|---|------|------|-------|------|-------|------|------|-------|------|-------|-------|------------|
| lb/inches | | | | | | | | | | | | |
| 50,000-100,000 | 2.95 | 1.73 | 11.0 | 2.49 | 7.25 | 2.09 | 3.82 | 7.78 | 0.82 | 6.02 | 4.18 | 1/2-14 NPT |
| kg/mm (conversion of above dimensions) | | | | | | | | | | | | |
| 22,680-45,360 | 75.0 | 44.4 | 280.0 | 63.3 | 184.0 | 53.0 | 97.0 | 197.6 | 20.8 | 153.0 | 106.2 | 1/2-14 NPT |

SPECIFICATIONS

| | | | |
|--------------------------|-----------------------|--------------------------------------|-------------------------------|
| Full Scale Output | 2.0 ± 1% mV/V | Recommended Excitation | 10V (15V Maximum) |
| Zero Balance | ± 0.02 mV/V | Insulation Resistance | >2 [50V DC] GΩ |
| Non-linearity | < ± 0.030% | Compensated Temperature Range | -10°C to 50°C / 14°F to 122°F |
| Repeatability | < ± 0.023% | Safe Overload | 150% of full scale |
| Hysteresis Error | < ± 0.023% | Breaking Overload | 300% of full scale |
| Creep in 30 min. | < ± 0.030% | Seal Type / IP Rating | Welded Seal / IP68 |
| Input Resistance | 1100Ω ± 50 | Cable Color Code | Exc+ Red Exc- Black |
| Output Resistance | 1000Ω ± 10 | | Sig+ Green Sig- White |
| Element Material | 2Cr13 Stainless Steel | | Shield Bare |

PART NUMBER

| Rated Capacity | Part No. | Shipping Weight (kg) Approx. |
|----------------|----------------------|------------------------------|
| 50Klb..... | 106ES-50Klb-YZ..... | 6.0 |
| 100Klb..... | 106ES-100Klb-YZ..... | 6.0 |

INTERCHANGEABLE PRODUCTS

| Manufacturer | Model |
|---------------|-------|
| Cardinal..... | SCA |



10t-50t: NTEP 1:10 000 Class III L, Multiple Cell



10t-50t: OIML MAA C3, Y=16 000