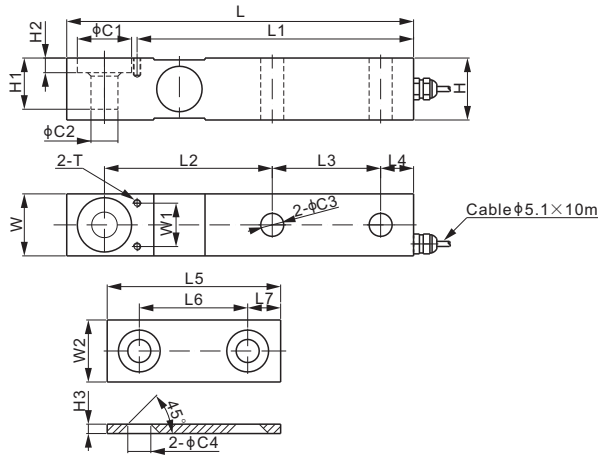


## 563YHMS

### Alloy Steel



SINGLE ENDED BEAMS

CE RoHS

### DIMENSIONS

RATED CAPACITY	C1	C2	C3	C4	H	H1	H2	H3	L	L1	L2	L3	L4	L5	L6	L7	W	W1	W2	T
<b>lb/inches</b>																				
1,000-5,000	1.25	0.62	0.53	0.53	1.43	1.18	0.34	0.22	8.00	6.38	3.87	2.50	0.76	4.00	2.50	0.76	1.43	1.00	1.43	8-32 UNC Depth0.37
10,000	1.50	0.87	0.84	0.84	1.70	1.08	0.39	0.22	9.25	7.51	4.87	2.62	0.89	4.40	2.62	0.89	1.70	1.12	1.70	10-32 UNF Depth0.37
20,000	1.87	1.25	1.06	1.06	2.37	0.82	0.37	0.22	11.0	8.50	5.50	3.25	1.00	5.24	3.25	1.00	2.37	1.75	2.37	10-32 UNF Depth0.37
<b>kg/mm</b> (conversion of above dimensions)																				
453.6-2,268	31.8	15.8	13.5	13.5	36.3	30.0	8.6	5.5	203.2	162.0	98.3	63.5	19.3	101.6	63.5	19.3	36.3	25.4	36.3	8-32 UNC Depth9.4
4,535.9	38.1	22.1	21.3	21.3	43.2	27.4	9.9	5.5	235.0	190.8	123.7	66.6	22.6	111.8	66.6	22.6	43.2	28.5	43.2	10-32 UNF Depth9.4
9,071.8	47.5	31.8	26.9	26.9	60.2	20.8	9.4	5.5	279.4	215.8	139.7	82.6	25.3	133.2	82.6	25.3	60.2	44.5	60.2	10-32 UNF Depth9.4

### SPECIFICATIONS

<b>Full Scale Output</b>	2.0 ± 0.07% mV/V	<b>Recommended Excitation</b>	10V (15V Maximum)
<b>Zero Balance</b>	± 0.02 mV/V	<b>Insulation Resistance</b>	>2 [ 50V DC ] GΩ
<b>Non-linearity</b>	< ± 0.017%	<b>Compensated Temperature Range</b>	-10°C to 50°C / 14°F to 122°F
<b>Repeatability</b>	< ± 0.017%	<b>Safe Overload</b>	150% of full scale
<b>Hysteresis Error</b>	< ± 0.017%	<b>Breaking Overload</b>	300% of full scale
<b>Creep in 30 min.</b>	< ± 0.023%	<b>Seal Type / IP Rating</b>	Environmentally Sealed / IP67
<b>Input Resistance</b>	350Ω ± 7	<b>Cable Color Code</b>	Exc+ Red      Exc- Black
<b>Output Resistance</b>	350Ω ± 3		Sig+ Green     Sig- White
<b>Element Material</b>	Alloy Steel, Nickel Plated		Shield Bare

### PART NUMBER

Rated Capacity	Part No.	Shipping Weight (kg) Approx.
1Klb .....	563YHMS-1Klb.....	2.5
2.5Klb.....	563YHMS-2.5Klb.....	2.5
4Klb.....	563YHMS-4Klb.....	2.5
5Klb.....	563YHMS-5Klb.....	2.5
10Klb.....	563YHMS-10Klb.....	4.5
20Klb.....	563YHMS-20Klb.....	7.5

### INTERCHANGEABLE PRODUCTS

Manufacturer	Model
Rice Lake.....	RLSB2MLW*
Rice Lake.....	RLSB2L**
Mettler-Toledo.....	Masstron ML4311~4449

\*RLSB2MLW is stainless steel for capacities 1Klb-20Klb;  
 \*\*RLSB2L is alloy steel for capacities 35Klb & 45Klb.