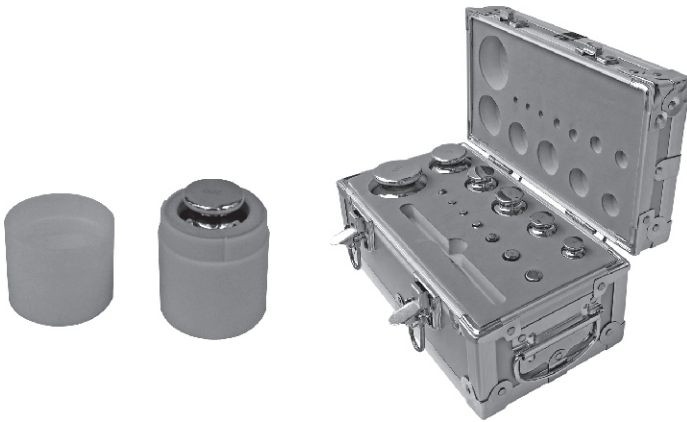


Test Weight, Stainless Steel



Individual Packing Class F1

Capacity	Part Number
1g	TWSF1-1g
2g	TWSF1-2g
5g	TWSF1-5g
10g	TWSF1-10g
20g	TWSF1-20g
50g	TWSF1-50g
100g	TWSF1-100g
200g	TWSF1-200g
500g	TWSF1-500g
1kg	TWSF1-1kg
2kg	TWSF1-2kg
5kg	TWSF1-5kg
10kg	TWSF1-10kg

Whole Set Class F1

Capacity Range	Part Number
0.05g - 1g	TWSF1-(0.05g-1g)

Whole set contents

Capacity	Quantity
0.05g	1
0.1g	1
0.2g	2
0.5g	1
1g	1

Whole Set Class M1

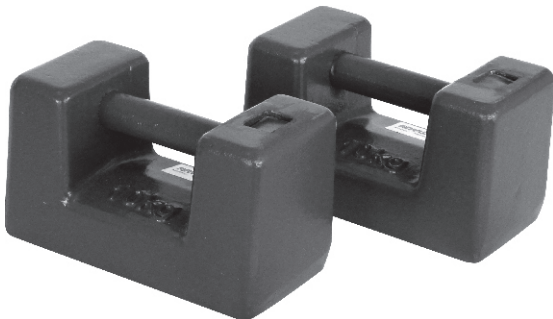
Capacity Range	Part Number
1g - 1kg	TWSM1-(1g-1kg)

Whole set contents

Capacity	Quantity
1g	1
2g	2
5g	1
10g	1
20g	2
50g	1
100g	1
200g	2
500g	1
1kg	1

TWC

Test Weight, Cast Iron



Individual Weights Class M2

Capacity	Part Number
5kg	TWCM2-5kg
10kg	TWCM2-10kg
20kg	TWCM2-20kg
25kg	TWCM2-25kg
50kg	TWCM2-50kg