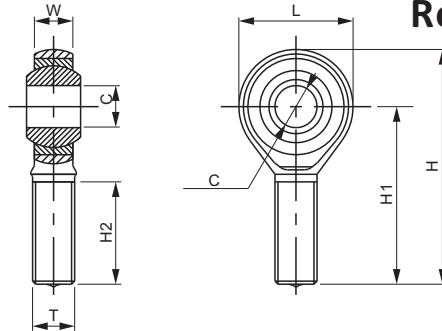


Rod End, Alloy Steel



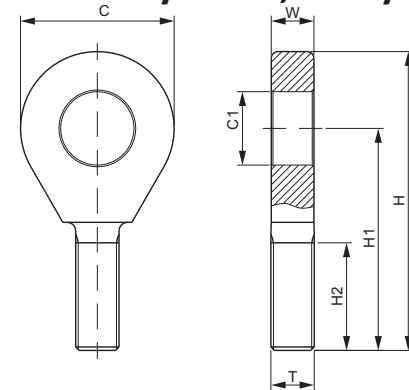
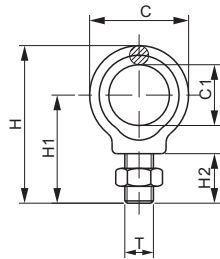
| PART NUMBER | C | H | H1 | H2 | DIMENSIONS | | T | Safe Working Load | Shipping Weight (kg) |
|---------------|------|-------|-------|------|------------|------|--------------|-------------------|----------------------|
| inches | | | | | | | | | |
| RE-1/4 | 0.25 | 1.90 | 1.50 | 0.95 | 0.80 | 0.25 | 1/4-28 UNF | 500lb | 0.1 |
| RE-1/2 | 0.50 | 2.80 | 2.15 | 1.30 | 1.35 | 0.50 | 1/2-20 UNF | 2Klb | 0.1 |
| RE-3/4 | 0.75 | 4.05 | 3.05 | 1.80 | 1.95 | 0.70 | 3/4-16 UNF | 5Klb | - |
| RE-1 | 1.00 | 5.50 | 4.10 | 2.30 | 2.75 | 0.85 | 1-14 UNS | 10Klb | 0.9 |
| RE-1-1/4 | 1.20 | 5.70 | 4.30 | 2.65 | 2.75 | 1.00 | 1-1/4-12 UNF | 15Klb | 1.0 |
| REH-1/2 | 0.75 | 4.05 | 3.05 | 1.80 | 1.95 | 0.70 | 1/2-20 UNF | 3Klb | - |
| REH-3/4 | 1.00 | 5.50 | 4.10 | 2.30 | 2.75 | 0.85 | 3/4-16 UNF | 10Klb | - |
| REH-1 | 1.20 | 5.70 | 4.30 | 2.65 | 2.75 | 1.00 | 1-14 UNS | 15Klb | - |
| mm | | | | | | | | | |
| RE-M6 | 5.9 | 46.0 | 36.0 | 21.5 | 20.0 | 12.0 | M6 | 0.1t | 0.1 |
| RE-M12 | 12.0 | 70.0 | 53.5 | 31.0 | 32.0 | 12.0 | M12 | 1.5t | 0.1 |
| RE-M16 | 16.0 | 86.0 | 66.0 | 37.0 | 40.0 | 15.0 | M16 | 1.7t | 0.2 |
| RE-M18 | 18.0 | 95.5 | 72.0 | 41.0 | 46.0 | 16.5 | M18X1.5 | 2t | 0.3 |
| RE-M24 | 25.0 | 124.5 | 94.2 | 57.0 | 60.0 | 21.0 | M24X2.0 | 3t | 0.6 |
| RE-M30 | 30.0 | 145.0 | 109.5 | 62.5 | 70.0 | 24.5 | M30X2.0 | 4.5t | 0.8 |
| REH-M12 | 19.0 | 103.0 | 77.5 | 46.0 | 49.5 | 18.0 | M12 | 2t | - |
| REH-M16 | 19.0 | 103.0 | 77.5 | 46.0 | 49.5 | 18.0 | M16 | 3t | 0.3 |
| REH-M18 | 25.5 | 139.5 | 104.0 | 58.5 | 70.0 | 21.5 | M18X1.5 | 5t | - |
| REH-M24 | 25.5 | 139.5 | 104.0 | 58.5 | 70.0 | 21.5 | M24X2.0 | 5t | - |

AVAILABLE OPTIONS

■ Stainless Steel

EYE; EYH

Eyebolt, Alloy Steel



| PART NUMBER | C | C1 | H | H1 | H2 | W | T | Safe Working Load | Shipping Weight (kg) |
|---------------|------|------|------|-------|------|------|--------------|-------------------|----------------------|
| inches | | | | | | | | | |
| EYE-1/4 | 1.23 | 0.67 | 1.89 | 1.33 | 0.62 | - | 1/4-28 UNF | 2.8Klb | 0.1 |
| EYE-1/2 | 1.71 | 1.02 | 2.73 | 2.08 | 0.97 | - | 1/2-20 UNF | 4.5Klb | 0.1 |
| EYE-3/4 | 2.74 | 1.53 | 4.11 | 2.95 | 1.37 | - | 3/4-16 UNF | 6.2Klb | 0.4 |
| EYE-1 | 3.53 | 1.97 | 5.22 | 3.63 | 1.69 | - | 1-14 UNS | 7.8Klb | 0.9 |
| EYE-1-1/4 | 4.05 | 2.21 | 6.11 | 4.10 | 2.04 | - | 1-1/4-12 UNF | 9.8Klb | 1.5 |
| EYH-3/4 | 3.11 | 1.54 | 5.91 | 4.35 | 2.01 | 0.79 | 3/4-16 UNF | 11Klb | 0.8 |
| EYH-1 | 3.54 | 1.69 | 6.89 | 5.12 | 2.48 | 0.98 | 1-14 UNS | 16.5Klb | 1.4 |
| EYH-1-1/4 | 4.45 | 2.09 | 8.46 | 6.24 | 2.95 | 1.26 | 1-1/4-12 UNF | 22Klb | 2.7 |
| mm | | | | | | | | | |
| EYE-M12 | 43.5 | 26 | 69.5 | 53 | 24.5 | - | M12X1.75 | 2t | 0.1 |
| EYH-M16 | 79 | 39 | 150 | 110.5 | 51 | 20 | M16X2.0 | 3t | 0.8 |
| EYH-M18 | 79 | 39 | 150 | 110.5 | 51 | 20 | M18X1.5 | 5t | 0.8 |
| EYH-M24 | 90 | 43 | 175 | 130 | 63 | 25 | M24X2.0 | 10t | 1.4 |
| EYH-M30 | 113 | 53 | 215 | 158.5 | 75 | 32 | M30X2.0 | 10t | 2.7 |
| EYH-M36 | 124 | 62 | 238 | 176 | 90 | 40 | M36X2.0 | 25t | 3.7 |
| EYH-M42 | 176 | 88 | 316 | 228 | 105 | 48 | M42X2.0 | 55t | 7.8 |

AVAILABLE OPTIONS

■ Stainless Steel