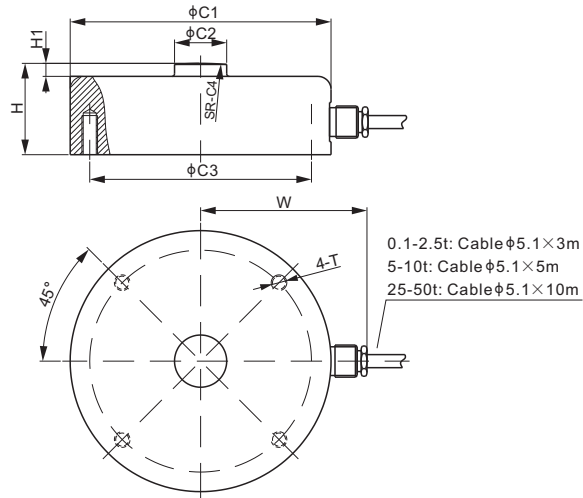


266ASPT



Stainless Steel



CE RoHS

Mounting hardware to be ordered separately.

DIMENSIONS

RATED CAPACITY	C1	C2	C3	C4	H	H1	W	T
t/mm								
0.1-1	52.0	10.0	44.0	30.0	22.0	4.0	41.0	M5 Depth12
2.5	52.0	10.0	44.0	30.0	25.0	4.0	41.0	M5 Depth12
5	100.0	20.0	85.0	120.0	30.0	5.0	65.0	M6 Depth15
10	100.0	20.0	85.0	120.0	35.0	5.0	65.0	M6 Depth15
25	115.0	32.0	90.0	150.0	50.0	10.0	75.0	M12 Depth25
50	155.0	45.0	130.0	180.0	55.0	12.0	95.0	M12 Depth25
Klb/inches (conversion of above dimensions)								
0.22-2.2	2.05	0.39	1.73	1.18	0.87	0.16	1.61	M5 Depth0.47
5.5	2.05	0.39	1.73	1.18	0.98	0.16	1.61	M5 Depth0.47
11	3.94	0.79	3.35	4.72	1.18	0.20	2.56	M6 Depth0.59
22	3.94	0.79	3.35	4.72	1.38	0.20	2.56	M6 Depth0.59
55	4.53	1.26	3.54	5.91	1.97	0.39	2.95	M12 Depth0.98
110	6.10	1.77	5.12	7.09	2.17	0.47	3.74	M12 Depth0.98

SPECIFICATIONS			
Full Scale Output	2.0 ± 1% mV/V	Recommended Excitation	10V (15V Maximum)
Zero Balance	± 0.02 mV/V	Insulation Resistance	>2 [50V DC] GΩ
Non-linearity	< ± 0.050%	Compensated Temperature Range	-10°C to 50°C / 14°F to 122°F
Repeatability	< ± 0.030%	Safe Overload	150% of full scale
Hysteresis Error	< ± 0.070%	Breaking Overload	300% of full scale
Creep in 30 min.	< ± 0.050%	Seal Type / IP Rating	Welded Seal / IP68
Input Resistance	415Ω ± 15	Cable Color Code	Exc+ Red Exc- Black
Output Resistance	350Ω ± 3		Sig+ Green Sig- White
Element Material	2Cr13 Stainless Steel		Shield Bare

PART NUMBER

Rated Capacity	Part No.	Shipping Weight (kg) Approx.
100kg.....	266ASPT-100kg-YZ.....	-
250kg.....	266ASPT-250kg-YZ.....	-
500kg.....	266ASPT-500kg-YZ.....	-
1t.....	266ASPT-1t-YZ.....	-
2.5t.....	266ASPT-2.5t-YZ.....	-
5t.....	266ASPT-5t-YZ.....	1.9
10t.....	266ASPT-10t-YZ.....	2.0
25t.....	266ASPT-25t-YZ.....	-
50t.....	266ASPT-50t-YZ.....	-

INTERCHANGEABLE PRODUCTS

Manufacturer	Model
PT Global.....	LPX

CANISTERS & DISKS