

OCSB Series

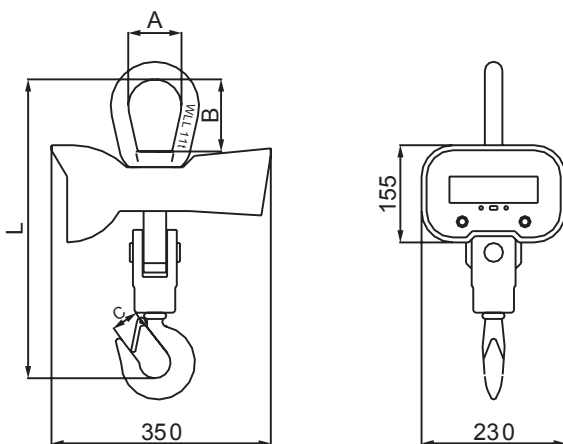
FEATURES

- Fast resolution switching
- 38mm 5 digits LED display for OCSB3
- 30mm 5 digits LCD display for OCSB4
- Rotatable hook
- Idle mode to maximize the battery life
- HOLD function
- Tare In / Tare Out
- Unit switch: kg / lb
- Auto overload alarm at 100%F.S. +9e
- Auto power-off function



OPTION

- Wireless Scoreboard



| Model | OCSB3 | OCSB4 |
|------------------------------------|----------------------|----------------------|
| Type | General | General |
| Accuracy Class | OIML III | OIML III |
| Enclosure | Die-casting Aluminum | Die-casting Aluminum |
| Display | 38mm LED | 30mm LCD w/Backlight |
| Capacity Available | 2 / 4 / 6 / 10 Kib | 2 / 4 / 6 / 10 Kib |
| Battery Life | 100 Hours | 100 Hours |
| High Quality Load Receptor | Alloy Steel | Alloy Steel |
| Shackle | H.D. Fixed | H.D. Fixed |
| Hook | H.D. Rotatable | H.D. Rotatable |
| High Capacity Rechargeable Battery | Yes 6V/10Ah | Yes 6V/10Ah |
| Infrared Remote Control | Yes | Yes |

| Rated Capacity | Division | A | B | C | L | N.W. | G.W. |
|----------------|--------------|--------------|---------------|--------------|----------------|----------------|----------------|
| 1t / 2Kib | 0.5kg / 1 lb | 70mm / 2.76" | 100mm / 3.94" | 35mm / 1.38" | 395mm / 15.55" | 12kg / 26.5 lb | 13kg / 29.1 lb |
| 2t / 4Kib | 1kg / 2 lb | 70mm / 2.76" | 100mm / 3.94" | 35mm / 1.38" | 395mm / 15.55" | 12kg / 26.5 lb | 13kg / 29.1 lb |
| 3t / 6Kib | 1kg / 2 lb | 70mm / 2.76" | 100mm / 3.94" | 35mm / 1.38" | 395mm / 15.55" | 12kg / 26.5 lb | 13kg / 29.1 lb |
| 5t / 10Kib | 2kg / 5 lb | 85mm / 3.35" | 115mm / 4.53" | 40mm / 1.57" | 490mm / 19.29" | 17kg / 37.5 lb | 19kg / 40.8 lb |

*Dimensions and specifications are subject to change without notice.