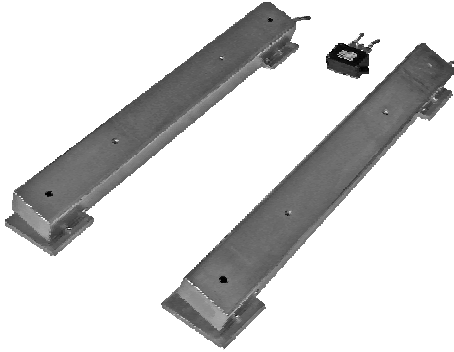


## Load Bar, Alloy Steel



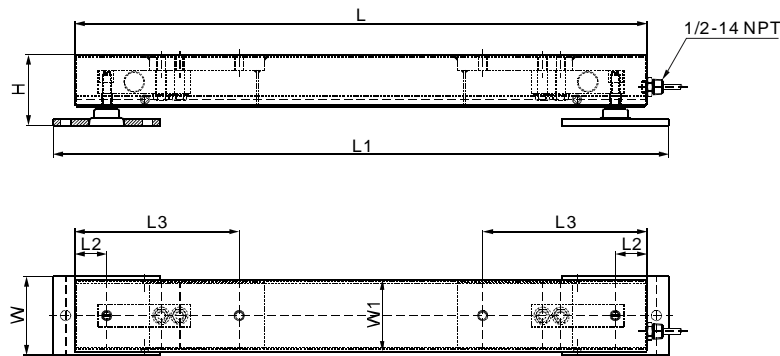
### Complete Set Includes:

#### One set of loadbar consists of:

- 2 pieces of loadbars
- A separate junction box equipped with two male connectors for connecting the two loadbars

#### Each loadbar consists of the followings:

- 2 units 563YH-2.5Klb load cells
- One junction box J02EA built inside the loadbar
- 6m rodent protection cable with a female connector for connecting to the separate junction box
- Two units Active Mounting Feet (AMF)



### DIMENSIONS

MODEL NAME	RATED CAPACITY (a set of two load bars)	H	L	L1	L2	L3	W	W1
LB100	<b>lb/inches</b>							
	500-4,000 (1K-10K)	3.89	31.50	33.87	1.77	9.06	4.33	3.94
	<b>kg/mm</b>							
	100-2,000 (200-4,000)	98.8	800.0	860.4	45.0	230	110	100

### PART NUMBER

Load Cell Capacity	Part No.	Shipping Weight (kg) Approx.
2.5Klb.....	LB100-5Klb.....	35.7