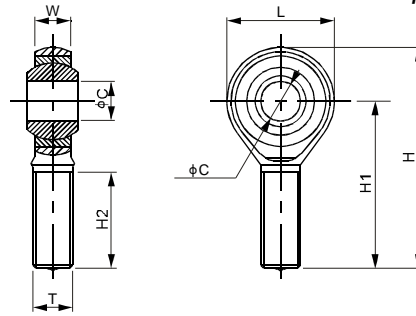


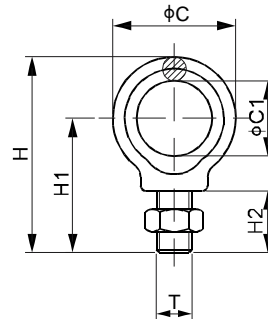
## Rod End, Stainless Steel



PART NUMBER	DIMENSIONS							T	Safe Working Load	Shipping Weight (kg)
	C	H	H1	H2	L	W				
<b>inches</b>										
RESS-1/4	0.25	1.90	1.50	0.95	0.80	0.25	1/4-28 UNF	500lb	0.1	
RESS-1/2	0.50	2.80	2.15	1.30	1.35	0.50	1/2-20 UNF	2Klb	0.1	
RESS-3/4	0.75	4.05	3.05	1.80	1.95	0.70	3/4-16 UNF	5Klb	-	
RESS-1	1.00	5.50	4.10	2.30	2.75	0.85	1-14 UNS	10Klb	0.9	
RESS-1-1/4	1.20	5.70	4.30	2.65	2.75	1.00	1-1/4-12 UNF	15Klb	1.0	
REHSS-1/2	0.75	4.05	3.05	1.80	1.95	0.70	1/2-20 UNF	3Klb	-	
REHSS-3/4	1.00	5.50	4.10	2.30	2.75	0.85	3/4-16 UNF	10Klb	-	
REHSS-1	1.20	5.70	4.30	2.65	2.75	1.00	1-14 UNS	15Klb	-	
<b>mm</b>										
RESS-M6	5.9	46.0	36.0	21.5	20.0	12.0	M6	0.1t	0.1	
RESS-M12	12.0	70.0	53.5	31.0	32.0	12.0	M12	1.5t	0.1	
RESS-M16	16.0	86.0	66.0	37.0	40.0	15.0	M16	1.7t	0.2	
RESS-M18	18.0	95.5	72.0	41.0	46.0	16.5	M18X1.5	2t	0.3	
RESS-M24	25.0	124.5	94.2	57.0	60.0	21.0	M24X2.0	3t	0.6	
RESS-M30	30.0	145.0	109.5	62.5	70.0	24.5	M30X2.0	4.5t	0.8	
REHSS-M12	19.0	103.0	77.5	46.0	49.5	18.0	M12	2t	-	
REHSS-M18	25.5	139.5	104.0	58.5	70.0	21.5	M18X1.5	5t	-	
REHSS-M24	25.5	139.5	104.0	58.5	70.0	21.5	M24X2.0	5t	-	

## EYESS; EYHSS

### Eye Bolt, Stainless Steel



PART NUMBER	DIMENSIONS							T	Safe Working Load	Shipping Weight (kg)
	C	C1	H	H1	H2	W				
<b>inches</b>										
EYESS-1/4	1.23	0.67	1.89	1.33	0.62	-	1/4-28 UNF	2.8Klb	0.1	
EYESS-1/2	1.71	1.02	2.73	2.08	0.97	-	1/2-20 UNF	4.5Klb	0.1	
EYESS-3/4	2.74	1.53	4.11	2.95	1.37	-	3/4-16 UNF	6.2Klb	0.4	
EYESS-1	3.53	1.97	5.22	3.63	1.69	-	1-14 UNS	7.8Klb	0.9	
EYESS-1-1/4	4.05	2.21	6.11	4.10	2.04	-	1-1/4-12 UNF	9.8Klb	1.5	
EYHSS-3/4	3.11	1.54	5.91	4.35	2.01	0.79	3/4-16 UNF	11Klb	0.8	
EYHSS-1	3.54	1.69	6.89	5.12	2.48	0.98	1-14 UNS	16.5Klb	1.4	
EYHSS-1-1/4	4.45	2.09	8.46	6.24	2.95	1.26	1-1/4-12 UNF	22Klb	2.7	
<b>mm</b>										
EYESS-M12	43.5	26	69.5	53	24.5	-	M12X1.75	2t	0.1	
EYHSS-M16	79	39	150	110.5	51	20	M16X2.0	3t	0.8	
EYHSS-M18	79	39	150	110.5	51	20	M18X1.5	5t	0.8	
EYHSS-M24	90	43	175	130	63	25	M24X2.0	10t	1.4	
EYHSS-M30	113	53	215	158.5	75	32	M30X2.0	10t	2.7	
EYHSS-M36	124	62	238	176	90	40	M36X2.0	25t	3.7	
EYHSS-M42	176	88	316	228	105	48	M42X2.0	55t	7.8	