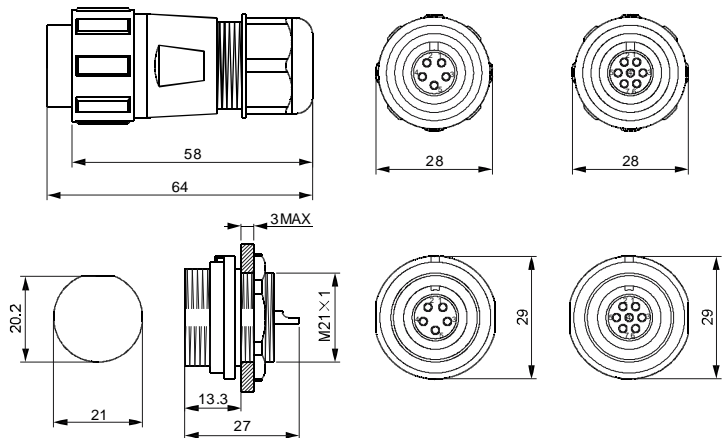
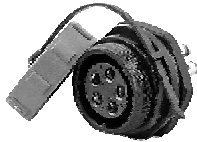


Cable Connector



SPECIFICATIONS

Part Number	CCS5-S	CCS5-L	CCS7-L
Rated Current	30A		15A
Contact Diameter	φ3mm×5		φ2mm×7
Termination	Solder / Screw		Solder
Shell Material	Nylon 66, fire resistance: V-0		
Insert Material	PPS, max temperature 260°C		
Contact Material	Brass with gold plating		
Rated Voltage	500V		
Test Voltage/min	1500V		
Contact Resistance	1mΩ		2.5mΩ
Wire Size mm ² / AWG	≤ 4.17/11		≤ 2/14
Cable Outer Diameter	φ4-7mm	φ7-12mm	
Mating Cycle	> 500		
Insulation Resistance	2000MΩ		
Working Temperature	-25°C to 85°C / -13°F to 185°F		
Protection Class	IP68		

PART NUMBER

Part No.	Contacts	Shipping Weight (kg) Approx.
CCS5-S.....	5.....	0.05
CCS5-L.....	5.....	0.05
CCS7-L.....	7.....	0.05