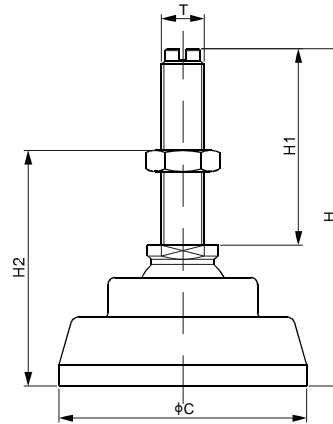
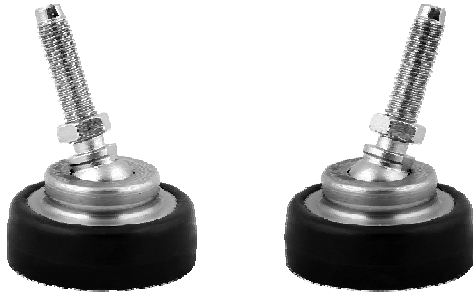


# AMFSS



## Active Mounting Foot, Stainless Steel

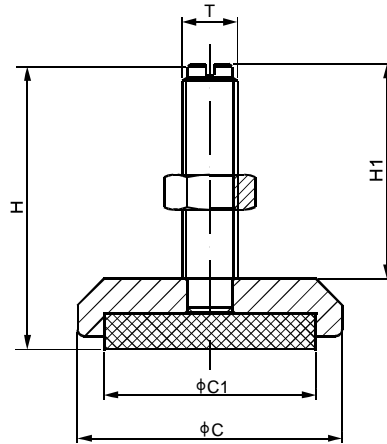


### DIMENSIONS

PART NUMBER	RATED CAPACITY	C	H	H1	H2	T
	<b>lb/inches</b>					
AMFSS - 1/2	100- 4,000; SE5,000	2.76	3.75	2.19	1.80-3.58	1/2-20 UNF-2B
AMFSS - 3/4	5,000-10,000	3.15	4.07	2.19	2.24-3.90	3/4-16 UNF-2B
AMFSS - 1	15,000; 20,000	3.94	5.65	2.83	3.21-5.45	1-14 UNS-2B
	<b>kg/mm</b>					
AMFSS - M12	100- 2,000	70	95.3	55.5	45.8-91	M12X1.75
AMFSS - M18	2,500; 5,000	80	103.5	55.5	57-99	M18X1.50
AMFSS - M24	10,000	100	143.5	72.0	81.5-138.5	M24X2.00

# FMFSS

## Fixed Mounting Foot, Stainless Steel



### DIMENSIONS

PART NUMBER	RATED CAPACITY	C	C1	H	H1	T
	<b>lb/mm</b>					
FMFSS - 1/2	500- SE5,000	60	48	64.5	48.5	1/2-20 UNF
FMFSS - 3/4	5,000-10,000	70	58	76.0	58.0	3/4-16 UNF
	<b>kg/mm</b>					
FMFSS - M12	100- 2,000	60	48	64.5	48.5	M12× 1.75
FMFSS - M18	2,500- 5,000	70	58	76.0	58.0	M18× 1.50