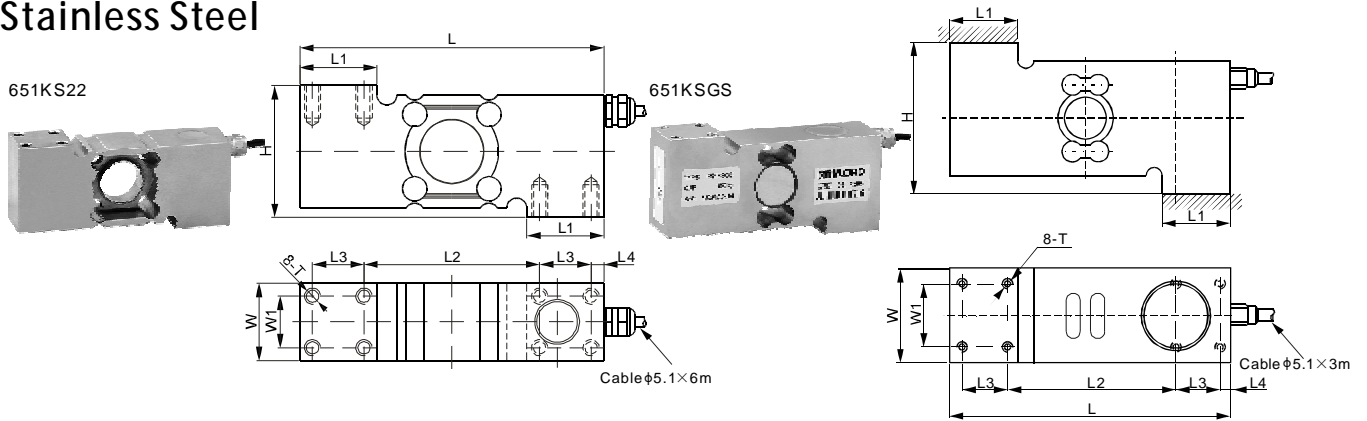


# 651KS22; 651KSGS

# ANYLOAD

## Stainless Steel



### DIMENSIONS

RATED CAPACITY	H	L	L1	L2	L3	L4	W	W1	T
<b>651KS22:</b> kg/mm 50-500	65.0	150.0	38.0	86.6	25.4	6.3	38.0	25.4	M8 Depth16
<b>lb/inches</b> (conversion of above dimensions) 110.2-1102.3	2.56	5.91	1.50	3.41	1.00	0.25	1.50	1.00	M8 Depth0.63
<b>651KSGS:</b> kg/mm 100-250	73.0	150.0	38.1	86.5	25.4	7.0	38.0	25.4	M8 Depth12
<b>lb/inches</b> (conversion of above dimensions) 220.5-551.2	2.87	5.91	1.50	3.41	1.00	0.28	1.50	1.00	M8 Depth0.47

### SPECIFICATIONS

<b>Full Scale Output</b>	2.0 ± 10% mV/V	<b>Recommended Excitation</b>	10V (15V Maximum)
<b>Zero Balance</b>	± 0.02 mV/V	<b>Reference Max. Platform Size</b>	600 × 600 mm
<b>Non-linearity</b>	651KS22: < ± 0.03%; 651KSGS: < ± 0.05%	<b>Insulation Resistance</b>	> 2 [ 50V DC ] G Ω
<b>Repeatability</b>	< ± 0.02%	<b>Compensated Temperature Range</b>	-10°C to 50°C / 14°F to 122°F
<b>Hysteresis Error</b>	651KS22: < ± 0.03%; 651KSGS: < ± 0.05%	<b>Safe Overload</b>	150% of full scale
<b>Creep in 30 min.</b>	< ± 0.03%	<b>Breaking Overload</b>	300% of full scale
<b>Input Resistance</b>	385Ω ± 15	<b>Seal Type / IP Rating</b>	651KS22: Welded Seal / IP68 651KSGS: Environmentally Sealed / IP66
<b>Output Resistance</b>	350Ω ± 3	<b>Cable Color Code</b>	Exc+ Red    Exc- Black Sig+ Green    Sig- White    Shield Bare
<b>Element Material</b>	17-4PH Stainless Steel		

SINGLE POINTS

### PART NUMBER

Rated Capacity	Part No.	Shipping Weight (kg) Approx.
50kg.....	651KS22-50kg .....	2.5
100kg.....	651KS22-100kg .....	2.5
	651KSGS-100kg .....	2.5
250kg.....	651KS22-250kg .....	2.5
	651KSGS-250kg .....	2.5
500kg.....	651KS22-500kg.....	2.5

### INTERCHANGEABLE PRODUCTS

651KS22 Manufacturer	Model
Mettler-Toledo.....	SSH
Vishay TedeA-Huntleigh.....	1510