

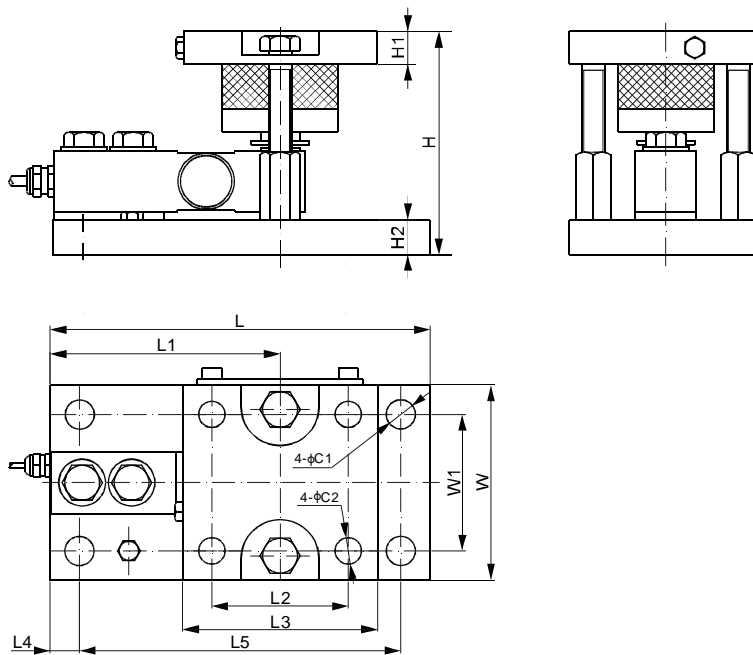
### Features:

- Assembles: 563YH single ended beam load cell
- Capacities: 100lb-1Klb/100kg-500kg
- Center pivoted and self-checking
- Multi-directional movements
- Anti-lifting protection

Load Cell Certifications:



Load Cell Not Included.



### DIMENSIONS

LOAD CELL CAPACITY	C1	C2	H	H1	H2	L	L1	L2	L3	L4	L5	W	W1
<b>lb/inches</b>													
100-1,000	0.53	0.53	4.55	0.67	0.71	7.68	4.65	2.76	3.94	0.59	6.50	3.94	2.76
<b>kg/mm</b>													
50-500	13.5	13.5	115.5	17.0	18.0	195.0	118.0	70.0	100.0	15.0	165.1	100.0	70.0

SE refers to small envelope

### PART NUMBER

Load Cell Capacity	Part No.	Shipping Weight (kg) Approx.
500lb-1Klb.....	563YHM5-(0.5-1)Klb.....	3.94