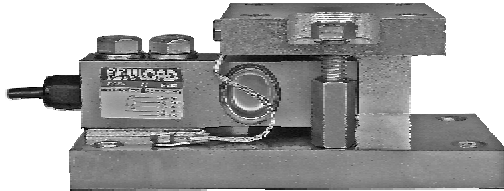


563YHM4



Alloy Steel



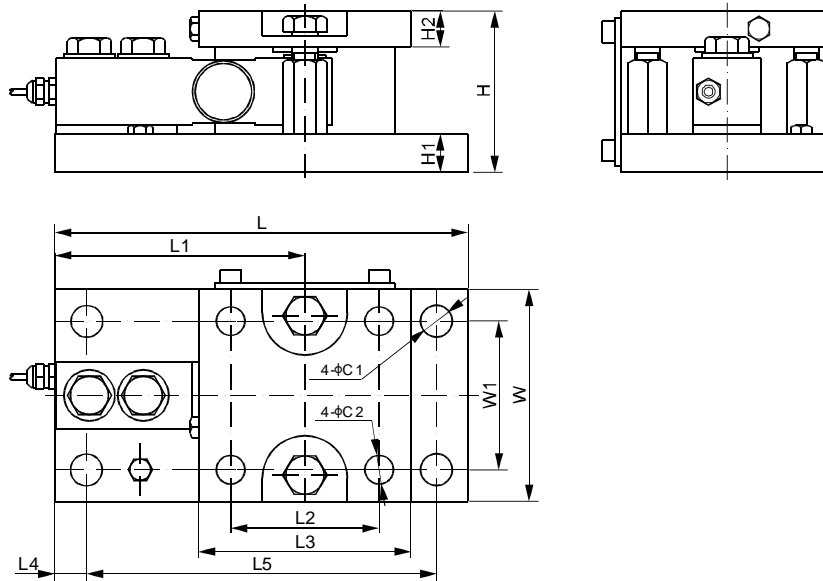
Features:

- Assembles: 563YH single ended beam load cell
- Capacities: 100lb-20Klb/100kg-10t
- Anti-lifting and overloading protection
- Rocker pin loading design
- Equipped with lateral stops

Load Cell Certifications:



Load Cell Not Included.



DIMENSIONS

LOAD CELL CAPACITY	C1	C2	H	H1	H2	L	L1	L2	L3	L4	L5	W	W1
lb/inches													
100-4,000;SE5,000	0.59	0.53	2.99	0.71	0.67	7.68	4.65	2.76	3.94	0.59	6.50	3.94	2.76
5,000-10,000	0.71	0.59	4.33	1.06	0.98	9.57	6.00	3.35	4.72	0.75	8.07	4.72	3.35
15,000-20,000	0.87	0.79	5.73	1.42	1.26	12.52	7.76	4.09	5.98	1.00	10.52	5.98	4.09
kg/mm													
100-2,000	15.0	13.5	76.0	18.0	17.0	195.0	118.0	70.0	100.0	15.0	165.1	100.0	70.0
3,000-5,000	18.0	15.0	110.0	27.0	25.0	243.0	152.5	85.0	120.0	19.0	205.0	120.0	85.0
10,000	22.0	20.0	145.5	36.0	32.0	318.0	197.0	104.0	152.0	25.4	267.2	152.0	104.0

SE refers to small envelope

PART NUMBER

Load Cell Capacity	Part No.	Shipping Weight (kg) Approx.
100lb-SE5Klb.....	563YHM4-(0.1-SE5)Klb.....	4.2
5Klb-10Klb.....	563YHM4-(5-10)Klb.....	9.8
15Klb-20Klb.....	563YHM4-(15-20)Klb.....	22.0