

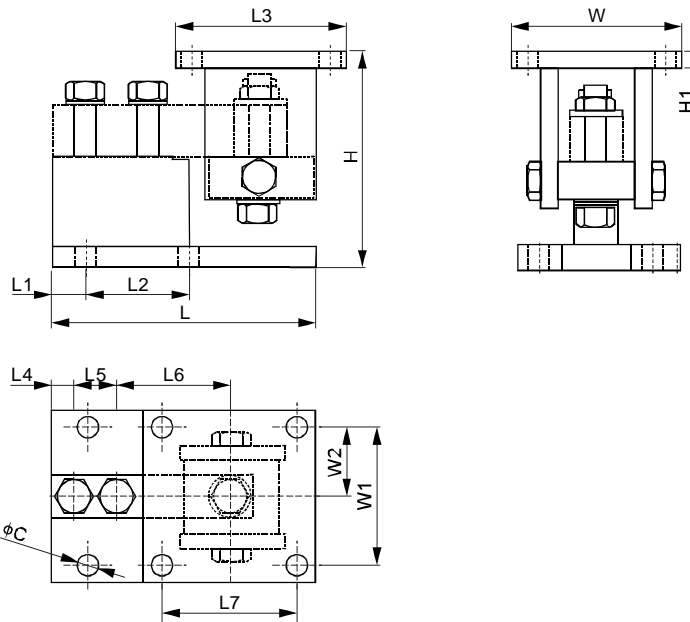
Features:

- Assembles: 563YH single ended beam load cell
- Capacities: 100lb-10Klb/100kg-5t
- Center pivoted and self-checking
- Tension load applied to the load cell is converted to compression load application for the weigh module

Load Cell Certifications:



Load Cell Not Included.



DIMENSIONS

LOAD CELL CAPACITY	C	H _{Min/Max}	H1	L	L1	L2	L3	L4	L5	L6	L7	W	W1	W2
lb/inches														
100-4,000;SE5,000	0.63	5.25/5.56	0.50	5.98	0.67	2.00	5.04	0.62	1.00	3.00	4.02	5.04	4.02	2.01
5,000-10,000	0.63	6.12/6.62	0.50	7.76	1.06	2.99	5.04	0.75	1.50	3.75	4.02	5.04	4.02	2.01
kg/mm														
100-2,000	16.0	133.4/141.2	12.7	152.0	17.0	50.8	128.0	15.80	25.4	76.2	102.1	128.0	102.1	51.1
3,000-5,000	16.0	155.5/168.2	12.7	197.0	27.0	75.9	128.0	19.10	38.1	95.3	102.1	128.0	102.1	51.1

SE refers to small envelope

PART NUMBER

Load Cell Capacity	Part No.	Shipping Weight (kg) Approx.
100lb-SE5Klb.....	563YHM2-(0.1-SE5)Klb.....	9.1
5Klb-10Klb.....	563YHM2-(5-10)Klb.....	11.0

INTERCHANGEABLE PRODUCTS

Manufacturer	Model
Rice Lake.....	RL1800