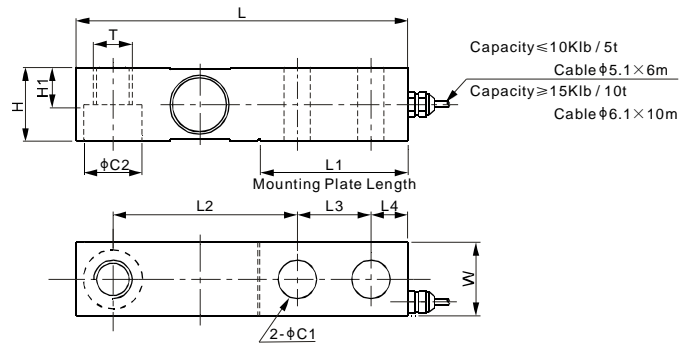


563YH



Alloy Steel

SINGLE ENDED BEAMS



DIMENSIONS

RATED CAPACITY	C1	C2	H	H1	L	L1	L2	L3	L4	W	T
lb/inches											
100-4,000; SE 5,000	0.53	0.81	1.25	0.60	5.12	2.25	3.00	1.00	0.62	1.25	1/2-20 UNF-2B
5,000-10,000	0.78	1.19	1.50	0.75	6.75	3.00	3.75	1.50	0.75	1.50	3/4-16 UNF-2B
15,000-20,000	1.03	1.81	2.00	1.00	8.75	4.00	4.75	2.00	1.00	2.00	1-14 UNS-2B
kg/mm											
100-2,000	13.5	20.6	31.8	15.2	130.0	57.2	76.2	25.4	15.8	31.8	M12X1.75
2,500; 3,000; 5,000	19.8	30.2	38.1	19.1	171.5	76.2	95.3	38.1	19.1	38.1	M18X1.50
10,000	26.2	46.0	50.8	25.4	222.3	101.6	120.7	50.8	25.4	50.8	M24X2.00
20,000	30.2	50.0	58.0	32.0	241.5	110.0	132.0	55.0	27.5	58.0	M36X2.00

SPECIFICATIONS

Full Scale Output	3.0 ± 0.25% mV/V	Recommended Excitation	10V (15V Maximum)
Zero Balance	± 0.02 mV/V	Insulation Resistance	>2 [50V DC] GΩ
Non-linearity	< ± 0.017%	Compensated Temperature Range	-10°C to 50°C / 14°F to 122°F
Repeatability	< ± 0.017%	Safe Overload	150% of full scale
Hysteresis Error	< ± 0.017%	Breaking Overload	300% of full scale
Creep in 30 min.	< ± 0.023%	Seal Type / IP Rating	Environmentally Sealed / IP67
Input Resistance	400 Ω ± 20 for kg; 350 Ω ± 7 for lb	Cable Color Code	Exc+ Red Exc- Black Sig+ Green Sig- White Shield Bare
Output Resistance	350 Ω ± 3		
Element Material	Alloy Steel, Nickel Plated		

PART NUMBER

Rated Capacity	Part No.	Shipping Weight (kg) Approx.
100lb.....	563YH-100lb.....	1.0
250lb.....	563YH-250lb.....	1.0
500lb.....	563YH-500lb.....	1.0
1Klb.....	563YH-1Klb.....	1.0
1.5Klb.....	563YH-1.5Klb.....	1.0
2Klb.....	563YH-2Klb.....	1.0
2.5Klb.....	563YH-2.5Klb.....	1.0
4Klb.....	563YH-4Klb.....	1.0
SE 5Klb.....	563YH-SE 5Klb.....	1.0
5Klb.....	563YH-5Klb.....	2.0
10Klb.....	563YH-10Klb.....	2.0
15Klb.....	563YH-15Klb.....	4.0
20Klb.....	563YH-20Klb.....	4.0
100kg.....	563YH-100kg.....	1.0
200kg.....	563YH-200kg.....	1.0
300kg.....	563YH-300kg.....	1.0
500kg.....	563YH-500kg.....	1.0
750kg.....	563YH-750kg.....	1.0
1t.....	563YH-1t.....	1.0
1.5t.....	563YH-1.5t.....	1.0
2t.....	563YH-2t.....	1.0
2.5t.....	563YH-2.5t.....	2.0
3t.....	563YH-3t.....	2.0
5t.....	563YH-5t.....	2.0
10t.....	563YH-10t.....	4.0
20t.....	563YH-20t.....	6.0

SE refers to small envelope

WEIGH MODULE

Model	Page
563YHM2.....	113
563YHM4.....	114
563YHM5.....	115

INTERCHANGEABLE PRODUCTS

Manufacturer	Model
Rice Lake.....	RL30000
Rice Lake.....	RL35023
Vishay Celtron.....	SQB
Vishay Revere Transducers.....	5123
Vishay Sensortronics.....	65023
Vishay TedeA-Huntleigh.....	3411

1Klb-10Klb: NTEP 1:6 000 Class III, Multiple Cell;
 NTEP 1:3 500 Class III, Single Cell
 500kg-2.5t: OIML MAA C4, Y=15 000;
 3t-10t: OIML C3;