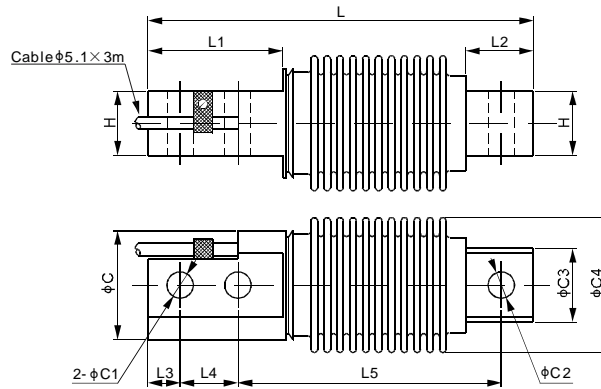


563RS



Stainless Steel

SINGLE ENDED BEAMS



DIMENSIONS

RATED CAPACITY	C	C1	C2	C3	C4	L	L1	L2	L3	L4	L5	W
kg/mm												
5-200	34.0	8.2	8.2	23.0	42.0	120.0	42.0	21.2	10.0	18.0	82.0	20.0
500	34.0	8.2	10.5	23.0	42.0	120.0	42.0	21.2	10.0	18.0	82.0	20.0
lb/inches (conversion of above dimensions)												
11.02-440.92	1.34	0.32	0.32	0.91	1.65	4.72	1.65	0.83	0.39	0.71	3.23	0.79
1,102.31	1.34	0.32	0.41	0.91	1.65	4.72	1.65	0.83	0.39	0.71	3.23	0.79

SPECIFICATIONS

Full Scale Output	2.0 ± 0.25% mV/V	Recommended Excitation	10V (15V Maximum)
Zero Balance	± 0.02 mV/V	Insulation Resistance	>2 [50V DC] GΩ
Deflection at Emax	0.27 - 0.33mm	Compensated Temperature Range	-10°C to 50°C / 14°F to 122°F
Non-linearity	< ± 0.017%	Safe Overload	150% of full scale
Repeatability	< ± 0.017%	Breaking Overload	300% of full scale
Hysteresis Error	< ± 0.017%	Seal Type / IP Rating	Welded Seal / IP68
Creep in 30 min.	< ± 0.023%	Cable Color Code	Exc+ Red Exc- Black Sig+ Green Sig- White Shield Bare
Input Resistance	400 Ω ± 20		
Output Resistance	350 Ω ± 3		
Element Material	17-4PH Stainless Steel		

PART NUMBER

Rated Capacity	Part No.	Shipping Weight (kg) Approx.
5kg.....	563RS-5kg.....	0.6
10kg.....	563RS-10kg.....	0.6
20kg.....	563RS-20kg.....	0.6
50kg.....	563RS-50kg.....	0.6
100kg.....	563RS-100kg.....	0.6
200kg.....	563RS-200kg.....	0.6
350kg.....	563RS-350kg.....	0.6
500kg.....	563RS-500kg.....	0.6

INTERCHANGEABLE PRODUCTS

Manufacturer	Model
Cardinal.....	CB6
Flintec.....	SB8
HBM.....	Z6
Mettler-Toledo.....	MTB
Rice Lake.....	RLHBB
Vishay Celtron.....	HBB
Vishay Revere Transducers.....	SHB
Vishay TedeA-Huntleigh.....	.355

WEIGH MODULE

Model	Page
563RSM5	112