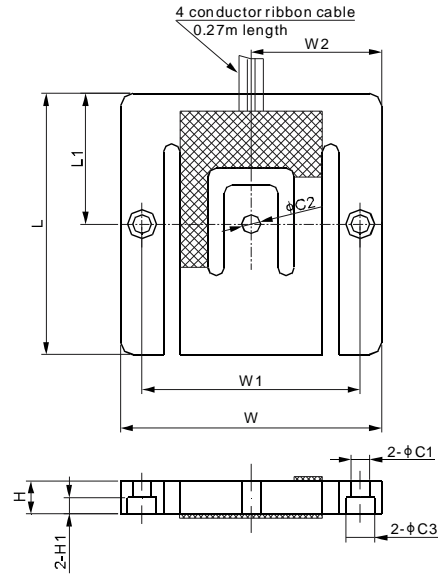


CE RoHS



### DIMENSIONS

| RATED CAPACITY   | C1   | C2   | C3   | H    | H1   | L    | L1   | W    | W1   | W2   |
|------------------|------|------|------|------|------|------|------|------|------|------|
| <b>lb/inches</b> |      |      |      |      |      |      |      |      |      |      |
| 12.5-18.75       | 0.18 | 0.18 | -    | 0.10 | -    | 2.50 | 1.25 | 2.50 | 2.09 | 1.25 |
| 25               | 0.18 | 0.18 | -    | 0.11 | -    | 2.50 | 1.25 | 2.50 | 2.09 | 1.25 |
| 37.5             | 0.18 | 0.18 | -    | 0.14 | -    | 2.50 | 1.25 | 2.50 | 2.09 | 1.25 |
| 50               | 0.18 | 0.18 | -    | 0.16 | -    | 2.50 | 1.25 | 2.50 | 2.09 | 1.25 |
| 100              | 0.18 | 0.18 | -    | 0.25 | -    | 2.50 | 1.25 | 2.50 | 2.09 | 1.25 |
| 200              | 0.18 | 0.18 | 0.28 | 0.31 | 0.16 | 2.50 | 1.25 | 2.50 | 2.09 | 1.25 |
| 220.5            | 0.18 | 0.18 | 0.28 | 0.33 | 0.16 | 2.50 | 1.25 | 2.50 | 2.09 | 1.25 |
| 440.9            | 0.18 | 0.18 | 0.28 | 0.46 | 0.20 | 2.50 | 1.25 | 2.50 | 2.09 | 1.25 |
| 661.4            | 0.18 | 0.18 | 0.28 | 0.56 | 0.20 | 2.50 | 1.25 | 2.50 | 2.09 | 1.25 |
| <b>kg/mm</b>     |      |      |      |      |      |      |      |      |      |      |
| 5.67-8.50        | 4.6  | 4.6  | -    | 2.5  | -    | 63.5 | 31.8 | 63.5 | 53.1 | 31.8 |
| 11.34            | 4.6  | 4.6  | -    | 2.8  | -    | 63.5 | 31.8 | 63.5 | 53.1 | 31.8 |
| 17.01            | 4.6  | 4.6  | -    | 3.5  | -    | 63.5 | 31.8 | 63.5 | 53.1 | 31.8 |
| 22.68            | 4.6  | 4.6  | -    | 4.0  | -    | 63.5 | 31.8 | 63.5 | 53.1 | 31.8 |
| 45.36            | 4.6  | 4.6  | -    | 6.4  | -    | 63.5 | 31.8 | 63.5 | 53.1 | 31.8 |
| 90.72            | 4.6  | 4.6  | 7.1  | 7.9  | 4.0  | 63.5 | 31.8 | 63.5 | 53.1 | 31.8 |
| 100              | 4.6  | 4.6  | 7.1  | 8.3  | 4.0  | 63.5 | 31.8 | 63.5 | 53.1 | 31.8 |
| 200              | 4.6  | 4.6  | 7.1  | 11.7 | 5.0  | 63.5 | 31.8 | 63.5 | 53.1 | 31.8 |
| 300              | 4.6  | 4.6  | 7.1  | 14.3 | 5.0  | 63.5 | 31.8 | 63.5 | 53.1 | 31.8 |

### SPECIFICATIONS

|                          |                  |                                  |  |
|--------------------------|------------------|----------------------------------|--|
| <b>Full Scale Output</b> | 0.9 ± 0.05% mV/V | <b>Recommended Excitation</b>    | 10V (15V Maximum)                                    |
| <b>Zero Balance</b>      | ± 0.02 mV/V      | <b>Insulation Resistance</b>     | >2 [ 50V DC ] GΩ                                     |
| <b>Non-linearity</b>     | < ± 0.017%       | <b>Nominal Temperature Range</b> | -10°C to 40°C / 14°F to 104°F                        |
| <b>Repeatability</b>     | < ± 0.017%       | <b>Safe Overload</b>             | 150% of full scale                                   |
| <b>Hysteresis Error</b>  | < ± 0.017%       | <b>Breaking Overload</b>         | 300% of full scale                                   |
| <b>Creep in 30 min.</b>  | < ± 0.030%       | <b>Seal Type / IP Rating</b>     | Environmentally Sealed / IP65                        |
| <b>Input Resistance</b>  | 1204 Ω ± 5       | <b>Cable Color Code</b>          | Exc+ Red      Exc- Black<br>Sig+ Green    Sig- White |
| <b>Output Resistance</b> | 1000 Ω ± 10      |                                  |  |
| <b>Element Material</b>  | Aluminum         |                                  |  |

### PART NUMBER

| Rated Capacity | Part No.           | Shipping Weight (kg) Approx. |
|----------------|--------------------|------------------------------|
| 12.5lb.....    | 202WA-12.5lb.....  | 0.14                         |
| 18.75lb.....   | 202WA-18.75lb..... | 0.14                         |
| 25lb.....      | 202WA-25lb.....    | 0.14                         |
| 37.5lb.....    | 202WA-37.5lb.....  | 0.14                         |
| 50lb.....      | 202WA-50lb.....    | 0.14                         |
| 100lb.....     | 202WA-100lb.....   | 0.14                         |
| 200lb.....     | 202WA-200lb.....   | 0.14                         |
| 100kg.....     | 202WA-100kg.....   | 0.14                         |
| 200kg.....     | 202WA-200kg.....   | 0.14                         |
| 300kg.....     | 202WA-300kg.....   | 0.14                         |

### INTERCHANGEABLE PRODUCTS

| Manufacturer | Model |
|--------------|-------|
| FLINTEC..... | PBW   |