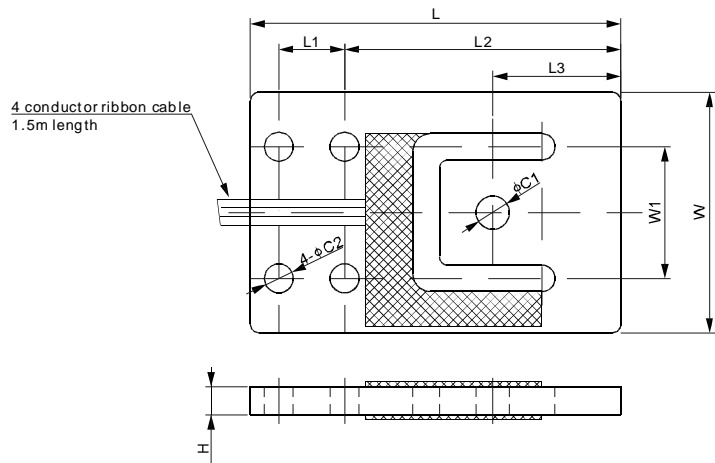
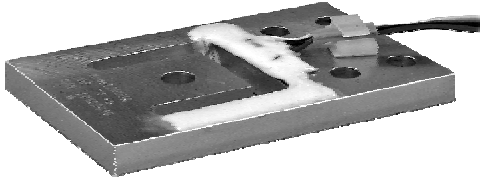


202UA



Aluminum

PLANARS



CE RoHS

DIMENSIONS

RATED CAPACITY	C1	C2	H	L	L1	L2	L3	W	W1
kg/mm									
3.75	5.1	5.1	2.0	70.0	14.0	51.1	23.1	39.0	27.8
7.5	5.1	5.1	2.5	70.0	14.0	51.1	23.1	39.0	27.8
15	7.6	5.1	4.1	70.0	14.0	51.1	23.1	39.0	27.8
37.5	7.6	6.6	4.8	76.2	15.0	55.2	25.9	44.5	30.0
75	7.6	6.6	6.4	84.4	15.0	63.0	29.0	54.8	30.0
150	9.1	8.1	7.9	107.3	22.9	76.6	30.7	69.9	44.5
375	9.1	9.8	12.7	119.4	25.4	84.9	32.3	76.1	50.8
lb/inches (conversion of above dimensions)									
8.27	0.20	0.20	0.08	2.76	0.55	2.01	0.91	1.54	1.10
16.5	0.20	0.20	0.10	2.76	0.55	2.01	0.91	1.54	1.10
33	0.30	0.20	0.16	2.76	0.55	2.01	0.91	1.54	1.10
82.7	0.30	0.26	0.19	3.00	0.59	2.17	1.02	1.75	1.18
165	0.30	0.26	0.25	3.32	0.59	2.48	1.14	2.16	1.18
331	0.36	0.32	0.31	4.22	0.90	3.02	1.21	2.75	1.75
827	0.36	0.39	0.50	4.70	1.00	3.34	1.27	3.00	2.00

SPECIFICATIONS

Full Scale Output	0.9 ± 0.1% mV/V	Recommended Excitation	10V (15V Maximum)
Zero Balance	± 0.02 mV/V	Insulation Resistance	>2 [50V DC] GΩ
Non-linearity	< ± 0.020%	Nominal Temperature Range	-10°C to 40°C / 14°F to 104°F
Repeatability	< ± 0.017%	Safe Overload	150% of full scale
Hysteresis Error	< ± 0.015%	Breaking Overload	300% of full scale
Creep in 30 min.	< ± 0.015%	Seal Type / IP Rating	Environmentally Sealed / IP65
Input Resistance	1190 Ω ± 10	Cable Color Code	Exc+ Red Exc- Black
Output Resistance	1000 Ω ± 10		Sig+ Green Sig- White
Element Material	Aluminum		

PART NUMBER

Rated Capacity	Part No.	Shipping Weight (kg) Approx.
3.75kg.....	202UA-3.75kg.....	0.1
7.5kg.....	202UA-7.5kg.....	0.1
15kg.....	202UA-15kg.....	0.2
37.5kg.....	202UA-37.5kg.....	0.2
75kg.....	202UA-75kg.....	0.2
150kg.....	202UA-150kg.....	0.3
375kg.....	202UA-375kg.....	0.5

INTERCHANGEABLE PRODUCTS

Manufacturer	Model
FLINTEC.....	PB
Rice Lake.....	RL BLP