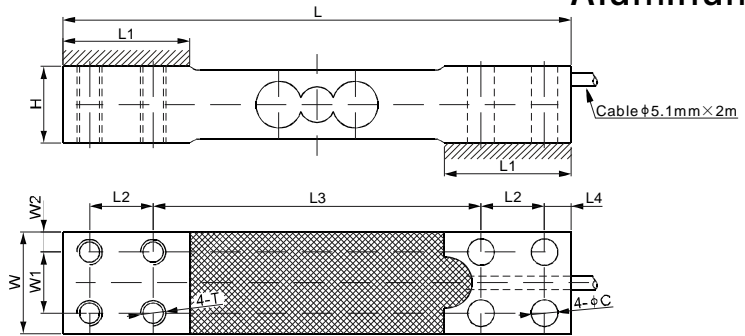
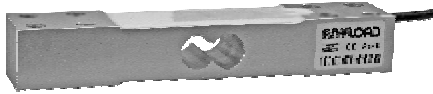


Aluminum



DIMENSIONS

RATED CAPACITY	C	H	L	L1	L2	L3	L4	W	W1	W2	T
kg/mm											
75-300	10.5	30.0	200.0	50.0	25.0	129.0	10.5	40.0	24.0	8.0	M10
lb/inches (conversion of above dimensions)											
165-661	0.41	1.18	7.87	1.97	0.98	5.08	0.41	1.57	0.94	0.31	M10

SPECIFICATIONS

Type	YZ108	Recommended Excitation	10V (15V Maximum)
Full Scale Output	2 + 10% / - 20% mV/V	Reference Max. Platform Size	400×400 mm
Zero Balance	± 0.02 mV/V	Insulation Resistance	>2 [50V DC] GΩ
Non-linearity	< ± 0.015%	Nominal Temperature Range	-10°C to 40°C / 14°F to 104°F
Repeatability	< ± 0.010%	Safe Overload	150% of full scale
Hysteresis Error	< ± 0.015%	Breaking Overload	300% of full scale
Creep in 30 min.	< ± 0.016%	Seal Type / IP Rating	Environmentally Sealed / IP66
Input Resistance	108 TAYM: 385 Ω ± 15; 108TAYM-01: 1263 Ω ± 30	Cable Color Code	Exc+ Red Exc- Black Sig+ Green Sig- White Shield Bare
Output Resistance	108 TAYM: 350 Ω ± 3; 108TAYM-01: 1000 Ω ± 9		
Element Material	Aluminum		

PART NUMBER

Rated Capacity	Part No.	Shipping Weight (kg) Approx.
75kg.....	108TAYM-75kg.....	0.5
	108 TAYM-75kg-01.....	0.5
150kg.....	108TAYM-150kg.....	0.5
	108TAYM-150kg-01.....	0.5
300kg.....	108TAYM-300kg.....	0.5
	108TAYM-300kg-01.....	0.5

INTERCHANGEABLE PRODUCTS

Manufacturer	Model	Scale Model & Cap.	Load Cell Cap.
108TAYM			
Yamato.....	UH69.....	6100-30kg.....	75kg
Yamato.....	UH69.....	6100-60kg.....	150kg
Yamato.....	UH69.....	6100-150kg.....	300kg
108TAYM-01			
Yamato.....	UH69.....	6200-30kg.....	75kg
Yamato.....	UH69.....	6200-60kg.....	150kg
Yamato.....	UH69.....	6200-150kg.....	300kg

75kg-300kg: OIML C3

SINGLE POINTS