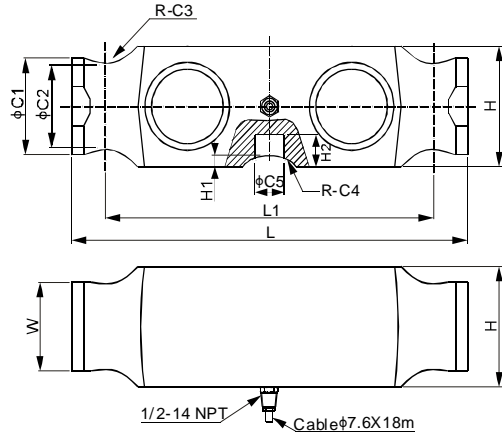
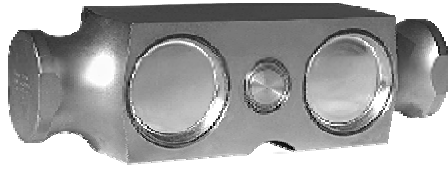


102RH

ANYLOAD

Alloy Steel



DOUBLE ENDED BEAMS

DIMENSIONS

RATED CAPACITY	C1	C2	C3	C4	C5	H	H1	H2	L	L1	W
lb/inches											
50,000 - 65,000	2.40	2.06	1.00	1.00	0.75	2.99	0.28	0.79	10.25	8.50	2.20
100,000 - 125,000	2.40	2.06	1.00	1.00	-	2.99	0.28	-	10.25	8.50	2.20
kg/mm											
10,000; 15,000	40.0	30.0	19.0	19.0	16.0	49.3	5.7	13.7	220.0	170.0	36.0

SPECIFICATIONS

Full Scale Output	3.0 ± 0.25% mV/V	Recommended Excitation	10V (15V Maximum)
Zero Balance	± 0.02 mV/V	Insulation Resistance	>2 [50V DC] GΩ
Non-linearity	< ± 0.023%	Compensated Temperature Range	-10°C to 50°C / 14°F to 122°F
Repeatability	< ± 0.017%	Safe Overload	150% of full scale
Hysteresis Error	< ± 0.023%	Breaking Overload	300% of full scale
Creep in 30 min.	< ± 0.023%	Seal Type / IP Rating	Welded Seal / IP68
Input Resistance	700 Ω ± 10	Cable Color Code	Exc+ Red Exc- Black Sig+ Green Sig- White Shield Bare
Output Resistance	700 Ω ± 5		
Element Material	Alloy Steel, Nickel Plated		

PART NUMBER

Rated Capacity	Part No.	Shipping Weight (kg) Approx.
10t.....	102RH-10t.....	4.0
15t.....	102RH-15t.....	4.0
50Klb.....	102RH-50Klb.....	9.0
65Klb.....	102RH-65Klb.....	9.0
100Klb.....	102RH-100Klb.....	9.0
125Klb.....	102RH-125Klb.....	9.0

INTERCHANGEABLE PRODUCTS

Manufacturer	Model
Rice Lake.....	RL75223
Vishay Revere Transducers.....	5223
Vishay Sensortronics.....	65040-1127W



25Klb-125Klb: NTEP 1:10 000 Class IIIIL, Multiple Cell



11t-55t: OIML MAA C4, Y=15 000