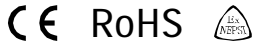
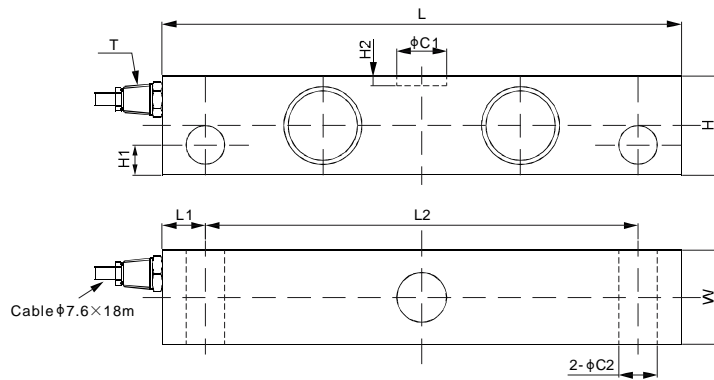
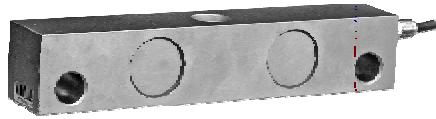


102EHEL



Alloy Steel



DOUBLE ENDED BEAMS

DIMENSIONS

RATED CAPACITY	C1	C2	H	H1	H2	L	L1	L2	W	T
lb/inches										
40,000-50,000	1.00	0.78	2.00	0.61	0.20	10.50	0.87	8.75	1.91	1/4-18 NPT
kg/mm (conversion of above dimensions)										
18,143.7-22,679.6	25.5	19.8	50.8	15.5	5.0	266.7	22.2	222.3	48.5	1/4-18 NPT

SPECIFICATIONS

Full Scale Output	3.0 ± 0.25% mV/V	Recommended Excitation	10V (15V Maximum)
Zero Balance	± 0.02 mV/V	Insulation Resistance	>2 [50V DC] GΩ
Non-linearity	< ± 0.030%	Compensated Temperature Range	-10°C to 50°C / 14°F to 122°F
Repeatability	< ± 0.015%	Safe Overload	150% of full scale
Hysteresis Error	< ± 0.020%	Breaking Overload	300% of full scale
Creep in 30 min.	< ± 0.020%	Seal Type / IP Rating	Environmentally Sealed / IP67
Input Resistance	700 Ω ± 10	Cable Color Code	Exc+ Red Exc- Black
Output Resistance	700 Ω ± 5		Sig+ Green Sig- White
Element Material	Alloy Steel, Nickel Plated		Shield Bare

PART NUMBER

Rated Capacity	Part No.	Shipping Weight (kg) Approx.
40Klb.....	102EHEL-40Klb.....	5.3
50Klb.....	102EHEL-50Klb.....	5.3

INTERCHANGEABLE PRODUCTS

Manufacturer	Model
Epelsa.....	STR