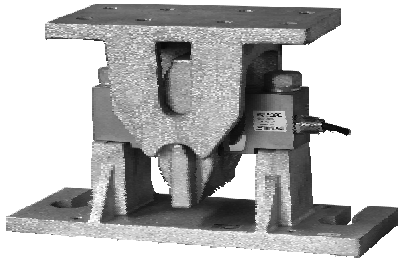


102BHM1

Alloy Steel



Features:

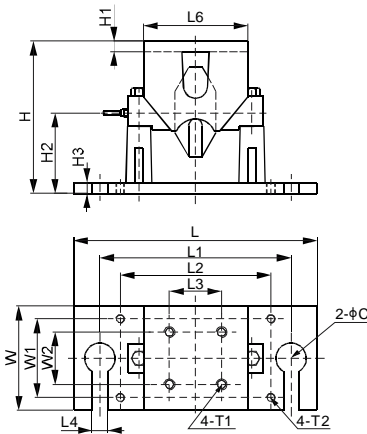
- Assembles: 102BH double ended beam load cell
- Capacities: 10Klb-200Klb/5t-100t
- Center pivoted with self-aligning suspension link design
- Allows for multi-directional movements
- No check rods required

Load Cell Certifications:

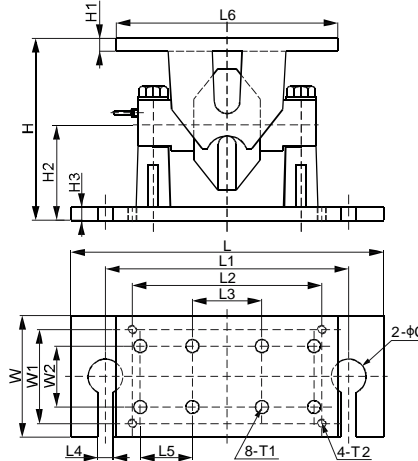


Load Cell Not Included.

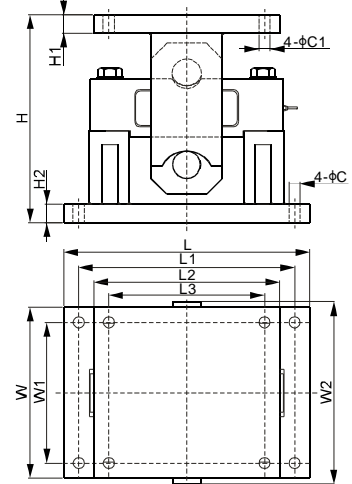
Capacity: 10Klb-25Klb (5t-15t)



Capacity: LE40Klb-75Klb (25t-35t)



Capacity: 100Klb-200Klb



DIMENSIONS

LOAD CELL

CAPACITY	C	C1	H	H1	H2	H3	L	L1	L2	L3	L4	L5	L6	W	W1	W2	T1	T2
Klb/inches																		
10-25	1.75	-	8.75	0.62	4.62	0.62	14.00	11.00	8.66	3.00	0.87	-	6.00	6.00	4.53	3.00	5/8-11UNC-2B	1/2-20 UNF
LE40:50-75	2.00	-	10.47	0.75	5.44	0.75	18.00	14.00	10.91	4.00	0.87	3.00	12.76	7.00	5.39	3.50	3/4-10UNC-2B	1/2-20 UNF
100-125	1.13	1.13	16.18	1.38	1.38	-	21.50	18.50	15.00	12.50	-	-	-	14.0	11.0	14.88	-	-
200	1.13	1.13	20.71	1.85	1.85	-	24.50	21.50	18.50	15.50	-	-	-	17.0	14.0	18.27	-	-
t/mm																		
5-15	44.5	-	222.3	15.7	117.3	15.7	355.6	279.4	220.0	76.2	22.5	-	152.4	152.4	115.0	76.2	5/8-11UNC-2B	1/2-20 UNF
25-35	50.8	-	266.0	19.0	138.2	19.0	457.2	355.6	277.0	101.6	22.5	76.2	324.0	177.8	137.0	88.9	3/4-10UNC-2B	1/2-20 UNF

LE refers to large envelope

PART NUMBER

Load Cell Capacity	Part No.	Shipping Weight (kg) Approx.
10Klb-25Klb.....	102BHM1-(10-25)Klb.....	22.0
50Klb-75Klb.....	102BHM1-(50-75)Klb.....	43.0
100Klb-125Klb.....	102BHM1-(100-125)Klb.....	-
200Klb.....	102BHM1-200Klb.....	-

INTERCHANGEABLE PRODUCTS

Manufacturer	Model
Rice Lake.....	TSA
Vishay Sensortronics.....	65058-TSA

WEIGH MODULES