

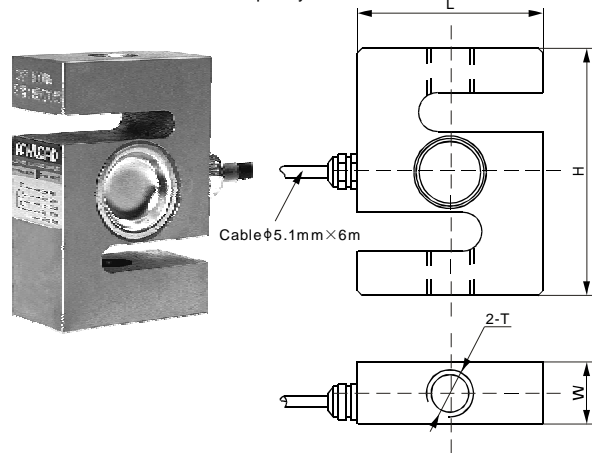
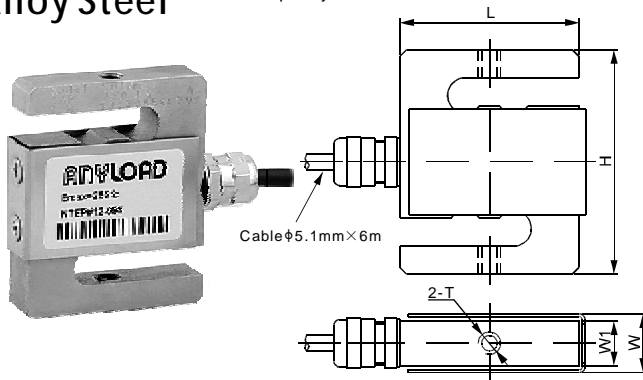
101NH



Alloy Steel

Capacity: 50-250lb

Capacity: 500lb-20Klb



DIMENSIONS

RATED CAPACITY	H	L	W	W1	T
lb/inches					
50-250	2.50	2.00	0.65	0.50	1/4 - 28 UNF - 2B
500	3.00	2.00	0.75	-	1/2 - 20 UNF - 2B
1,000-3,000	3.00	2.00	1.11	-	1/2 - 20 UNF - 2B
5,000; 10,000	4.00	3.00	1.00	-	3/4 - 16 UNF - 2B
15,000	5.50	4.00	1.25	-	1 - 14 UNS - 2B
20,000	7.00	4.92	2.00	-	1 1/4 - 12 UNF - 2B
kg/mm (conversion of above dimensions)					
22.68 - 113.4	63.5	50.8	16.6	12.7	1/4 - 28 UNF - 2B
226.8	76.2	50.8	19.1	-	1/2 - 20 UNF - 2B
453.6 - 1,360.8	76.2	50.8	28.2	-	1/2 - 20 UNF - 2B
2,268; 4,535.9	101.6	76.2	25.4	-	3/4 - 16 UNF - 2B
6,803.9	139.7	101.6	31.8	-	1 - 14 UNS - 2B
9,071.8	177.8	125.0	50.8	-	1 1/4 - 12 UNF - 2B

SPECIFICATIONS

Full Scale Output	3.0 ± 1% mV/V	Recommended Excitation	10V (15V Maximum)
Zero Balance	± 0.02 mV/V	Insulation Resistance	> 2 [50V DC] GΩ
Non-linearity	< ± 0.017%	Compensated Temperature Range	-10°C to 50°C / 14°F to 122°F
Repeatability	< ± 0.017%	Safe Overload	150% of full scale
Hysteresis Error	< ± 0.017%	Breaking Overload	300% of full scale
Creep in 30 min.	< ± 0.023%	Seal Type / IP Rating	Environmentally Sealed / IP67
Input Resistance	350 Ω ± 7	Cable Color Code	Exc+ Red Exc- Black Sig+ Green Sig- White Shield Bare
Output Resistance	350 Ω ± 3		
Element Material	Alloy Steel, Nickel Plated		

PART NUMBER

Rated Capacity	Part No.	Shipping Weight (kg) Approx.
50lb.....	101NH-50lb.....	0.5
100lb.....	101NH-100lb.....	0.5
200lb.....	101NH-200lb.....	0.5
250lb.....	101NH-250lb.....	0.5
500lb.....	101NH-500lb.....	0.7
1Klb.....	101NH-1Klb.....	1.0
1.5Klb.....	101NH-1.5Klb.....	1.0
2Klb.....	101NH-2Klb.....	1.0
2.5Klb.....	101NH-2.5Klb.....	1.0
3Klb.....	101NH-3Klb.....	1.0
5Klb.....	101NH-5Klb.....	1.4
10Klb.....	101NH-10Klb.....	1.4
15Klb.....	101NH-15Klb.....	3.0
20Klb.....	101NH-20Klb.....	7.0

WEIGH MODULE

Model	Page
101NHM1.....	101

INTERCHANGEABLE PRODUCTS

Manufacturer	Model
Rice Lake.....	RL20000
Rice Lake.....	RL20001
Vishay Celtron.....	STC
Vishay Revere Transducers.....	363
Vishay Sensortronics.....	60001

- 100lb-3Klb: NTEP 1:3000 Class III, Single Cell;
- 5Klb-20Klb: NTEP 1:4500 Class III, Single Cell
- 200kg-1.5t: OIML MAA C3, Y=17000;
- 2t-10t: OIML MAA C4.5, Y=14000