

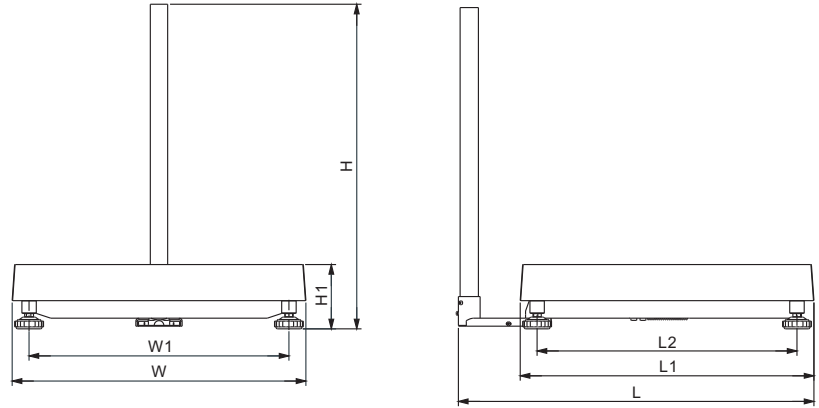
Bench Scale, Mild Steel



Indicator to be ordered separately.

Features:

- 1/14 inch (25mm) heavy gauge stainless steel pan
- Heavy gauge mild steel construction
- Level bubble
- Bracket, column and column holder included
- Overload capacity: 150% FS



DIMENSIONS(mm)

	L	L1	L2	H	H1	W	W1
TN3030	439	310	240	407	112	310	240
TN4050	639	510	440	665	110	410	340
TN4646	599	470	400	667	112	470	400
TN4660	739	610	540	686	140	470	400
TN6060	739	610	540	667	134	610	540

PART NUMBER	RATED CAPACITY	DIVISION	LOAD CELL CAPACITY	PLATFORM SIZE (inch/cm)	COLUMN LENGTH (inch/cm)	GROSS WEIGHT (kg/lb)
TN3030-15kg	15kg	5g	108JA-20kg	11.8 × 11.8 / 30 × 30	15.75 / 40	10.3/22.7
TN3030-30kg	30kg	10g	108JA-50kg	11.8 × 11.8 / 30 × 30	15.75 / 40	10.3/22.7
TN3030-60kg	60kg	20g	108JA-75kg	11.8 × 11.8 / 30 × 30	15.75 / 40	10.3/22.7
TN4050-60kg	60kg	20g	108JA-75kg	15.8 × 19.7 / 40 × 50	26 / 66	17.6/38.8
TN4050-60kg-LE	60kg	20g	108JA-LE75kg	15.8 × 19.7 / 40 × 50	26 / 66	17.6/38.8
TN4050-150kg-SE	150kg	50g	108JA-SE200kg	15.8 × 19.7 / 40 × 50	26 / 66	17.6/38.8
TN4050-300kg-SE	300kg	100g	108JA-SE400kg	15.8 × 19.7 / 40 × 50	26 / 66	17.6/38.8
TN4646-60kg	60kg	20g	108JA-75kg	18.1 × 18.1 / 46 × 46	26 / 66	-
TN4646-60kg-LE	60kg	20g	108JA-LE75kg	18.1 × 18.1 / 46 × 46	26 / 66	-
TN4646-150kg-SE	150kg	50g	108JA-SE200kg	18.1 × 18.1 / 46 × 46	26 / 66	-
TN4646-300kg-SE	300kg	100g	108JA-SE400kg	18.1 × 18.1 / 46 × 46	26 / 66	-
TN4660-60kg	60kg	20g	108JA-75kg	18.1 × 23.6 / 46 × 60	26 / 66	24.8/54.7
TN4660-60kg-LE	60kg	20g	108JA-LE75kg	18.1 × 23.6 / 46 × 60	26 / 66	24.8/54.7
TN4660-150kg-SE	150kg	50g	108JA-SE200kg	18.1 × 23.6 / 46 × 60	26 / 66	24.8/54.7
TN4660-300kg-SE	300kg	100g	108JA-SE400kg	18.1 × 23.6 / 46 × 60	26 / 66	24.8/54.7
TN6060-150kg-SE	150kg	50g	108JA-SE200kg	23.6 × 23.6 / 60 × 60	26 / 66	30.5/67.2
TN6060-300kg-SE	300kg	100g	108JA-SE400kg	23.6 × 23.6 / 60 × 60	26 / 66	30.5/67.2

OPTIONAL INDICATORS

- Indicators (page 180-183)