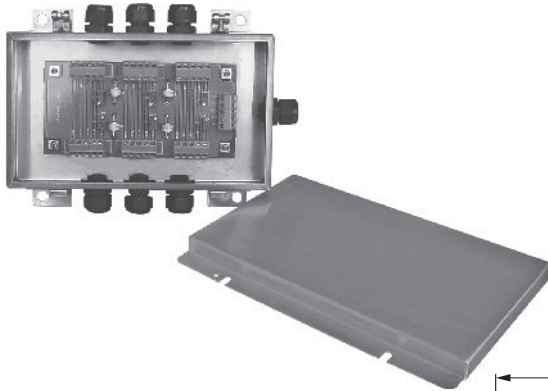


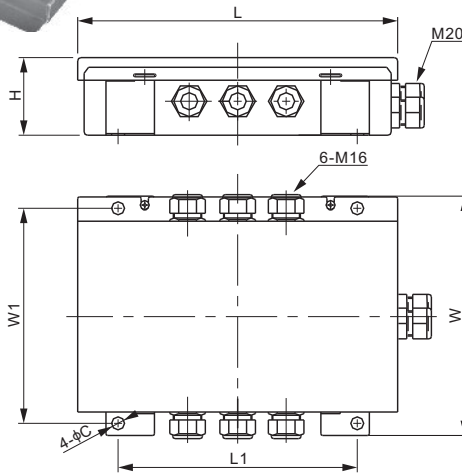
## J06ES; J06SS

### Stainless Steel



#### Features:

- Enclosure Material: Stainless steel SS304
- Number of cell connections: 2 - 6 single cells
- Trimming: Individual cell with excitation or signal trim
- Equipped with independent potentiometers
- Captive stainless steel screws
- IP Rating: IP65



#### DIMENSIONS

	C	H	L	L1	W	W1
mm	8	43	200	147	149	135
inches	0.3	1.7	7.9	5.8	5.9	5.3

#### SPECIFICATIONS

Number of Cells	2 - 6 single cells	Trimming	Individual cell with excitation or signal trim
Input Cable Fittings	M16: 4mm - 8mm diameter cable	Enclosure Material	Stainless steel SS304
Output Cable Fittings	M20: 5mm - 9mm diameter cable	IP Rating	IP65

#### TRIMMING RANGE

Load Cell Resistance	Signal Trim	Excitation Trim
350Ω	.....3.6% of output	.....2.3% of output
700Ω	.....6.3% of output	.....1.3% of output
1000Ω	.....7.0% of output	.....1.0% of output

#### PART NUMBER\*

Trimming	Lightning Protection	Part No.	Weight (kg) Approx.
Excitation	No	J06ES	0.9
Signal	No	J06SS	0.9
Excitation	Yes	J06ES-II	0.9
Signal	Yes	J06SS-II	0.9

\* ATEX, FM, IECEx approved versions carry the "-Ex" suffix.

#### MOTHERBOARD LAYOUT

