

Bench Scale, Mild Steel

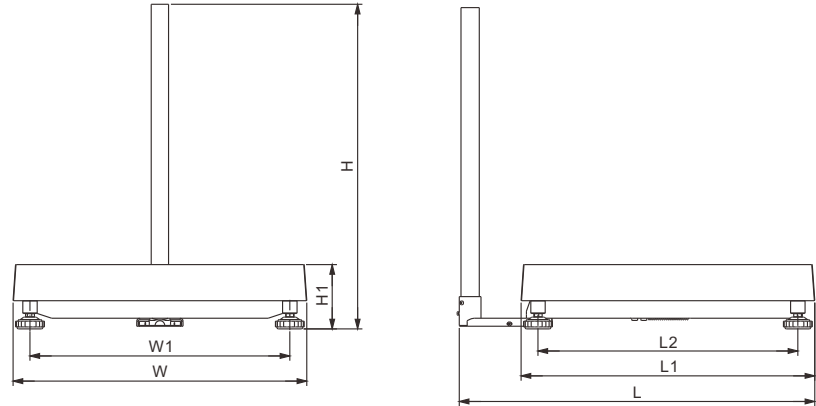


Indicator to be ordered separately.



Features:

- 1/14 inch (1.8mm) heavy gage stainless steel pan
- Heavy gage mild steel construction
- Level bubble
- Bracket, column and column holder included
- Overload capacity: 150% FS
- IP Rating: IP66



DIMENSIONS(mm)

	L	L1	L2	H	H1	W	W1
TN3030	439	310	240	407	112	310	240
TN4050	639	510	440	665	110	410	340
TN4646	599	470	400	667	112	470	400
TN4660	739	610	540	686	140	470	400
TN6060	739	610	540	667	134	610	540

BENCH SCALE PLATFORMS

PART NUMBER	RATED CAPACITY	DIVISION	LOAD CELL CAPACITY	PLATFORM SIZE (inch/cm)	COLUMN LENGTH (inch/cm)	GROSS WEIGHT (kg/lb)
TN3030-15kg	15kg	5g	108JA-20kg	11.8 × 11.8 / 30 × 30	15.75 / 40	10.3/22.7
TN3030-30kg	30kg	10g	108JA-50kg	11.8 × 11.8 / 30 × 30	15.75 / 40	10.3/22.7
TN3030-60kg	60kg	20g	108JA-75kg	11.8 × 11.8 / 30 × 30	15.75 / 40	10.3/22.7
TN4050-60kg	60kg	20g	108JA-75kg	15.8 × 19.7 / 40 × 50	26 / 66	17.6/38.8
TN4050-60kg-LE	60kg	20g	108JA-LE75kg	15.8 × 19.7 / 40 × 50	26 / 66	17.6/38.8
TN4050-150kg-SE	150kg	50g	108JA-SE200kg	15.8 × 19.7 / 40 × 50	26 / 66	17.6/38.8
TN4050-300kg-SE	300kg	100g	108JA-SE400kg	15.8 × 19.7 / 40 × 50	26 / 66	17.6/38.8
TN4646-60kg	60kg	20g	108JA-75kg	18.1 × 18.1 / 46 × 46	26 / 66	-
TN4646-60kg-LE	60kg	20g	108JA-LE75kg	18.1 × 18.1 / 46 × 46	26 / 66	-
TN4646-150kg-SE	150kg	50g	108JA-SE200kg	18.1 × 18.1 / 46 × 46	26 / 66	-
TN4646-300kg-SE	300kg	100g	108JA-SE400kg	18.1 × 18.1 / 46 × 46	26 / 66	-
TN4660-60kg	60kg	20g	108JA-75kg	18.1 × 23.6 / 46 × 60	26 / 66	24.8/54.7
TN4660-60kg-LE	60kg	20g	108JA-LE75kg	18.1 × 23.6 / 46 × 60	26 / 66	24.8/54.7
TN4660-150kg-SE	150kg	50g	108JA-SE200kg	18.1 × 23.6 / 46 × 60	26 / 66	24.8/54.7
TN4660-300kg-SE	300kg	100g	108JA-SE400kg	18.1 × 23.6 / 46 × 60	26 / 66	24.8/54.7
TN6060-150kg-SE	150kg	50g	108JA-SE200kg	23.6 × 23.6 / 60 × 60	26 / 66	30.5/67.2
TN6060-300kg-SE	300kg	100g	108JA-SE400kg	23.6 × 23.6 / 60 × 60	26 / 66	30.5/67.2

OPTIONAL INDICATORS

■ Indicators (page 198-201)

# Product Datasheet Disclaimer

## **Information Changes:**

All product specifications, statements, information, and data (collectively, the “Information”) in this catalog or made available elsewhere by ANYLOAD are subject to change. Customers must verify the applicability of the Information at the time of order placement.

## **Accuracy and Reliability:**

While all Information is believed to be accurate and reliable, it is presented without guarantee, warranty, or responsibility of any kind, expressed or implied.

## **Laboratory Conditions:**

Data listed in the datasheet is produced within controlled laboratory settings and may not be reproducible without exact replication of all metrological conditions. Users must validate that a product with the described properties is suitable for their applications.

## **Interchangeability:**

Statements of interchangeability with other manufacturers are based on ANYLOAD’s knowledge at the time of publication and are not intended to constitute any warranty concerning the substitutability of an ANYLOAD product with one made by another Manufacturer.

## **Warranty Voidance:**

Any use of the product outside of specifications or any storage or installation inconsistent with product guidance voids any warranty.

## **Intended Use:**

The information is intended for use only by customers who have the requisite experience and capability to determine the correct products for their application. ANYLOAD provides technical advice without obligation or liability for the advice given or results obtained.

## **Component Failures:**

Although ANYLOAD designs and manufactures its products to stringent quality and safety standards, isolated component failures may still occur. Applications requiring high reliability or safety should employ suitable designs or safeguards to ensure that component failure does not result in personal injury or property damage.

## **High-Risk Applications:**

Unless specifically agreed to in writing, ANYLOAD has not tested or certified its products, services, or deliverables for use in high-risk applications (e.g., medical life support, nuclear facilities, weapon systems). ANYLOAD makes no assurances that the products are suitable for high-risk uses. Under no circumstances does ANYLOAD warrant or guarantee suitability for any customer design or manufacturing process.

Contact authorized ANYLOAD personnel for special terms and conditions regarding products designed for specific safety requirements.

## **Safety Measures:**

All product-related warnings, cautions, and notes must be observed. Customers should not assume that all safety measures are indicated or that other measures may not be required.

---

## **California Proposition 65:**

**⚠ WARNING:** Some products manufactured or distributed by ANYLOAD may contain trace amounts of chemicals known to the State of California to cause cancer, birth defects, or other reproductive harm. These substances are present in minimal quantities and are typically encapsulated within our products. This warning is provided to enable you to make informed decisions as a consumer.