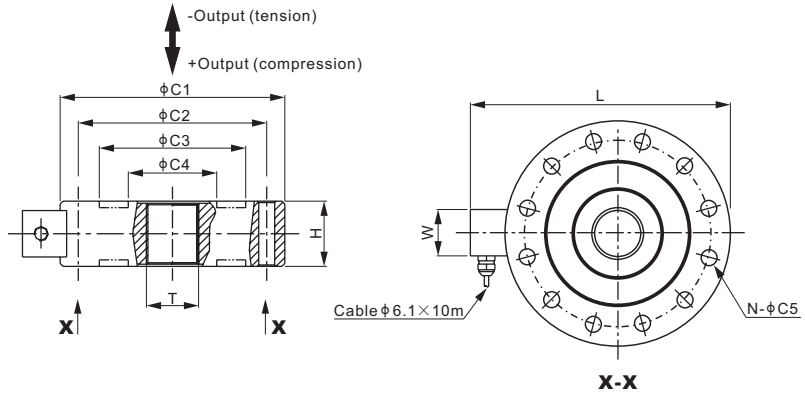


## Alloy Steel



CE ATEX FM APPROVED IECEx RoHS

Mounting hardware to be ordered separately.

### DIMENSIONS

RATED CAPACITY	C1	C2	C3	C4	C5	N	H	L	W	T
<b>t/mm</b>										
1-5	113.0	97.0	81.0	37.0	7	8	35.0	145.4	32.0	M24X2
10; 20	155.0	130.0	106.0	56.0	11	12	45.0	189.0	32.0	M36X2
30	180.0	150.0	125.0	75.0	13	12	58.0	212.6	32.0	M42X2
50	205.0	165.0	125.0	75.0	13	16	64.0	237.9	32.0	M42X2
100	280.0	228.0	182.0	118.0	17	16	90.0	322.7	48.0	M70X3
150; 200	296.0	256.0	223.0	133.0	22	16	120.0	338.7	48.0	M90X3
300	346.0	282.0	242.0	174.0	26	16	180.0	388.6	48.0	M120X3
<b>lb/inches</b> (conversion of above dimensions)										
2,204.6-11,023.1	4.45	3.82	3.19	1.46	0.28	8	1.38	5.72	1.26	M24X2
22,046.2; 44,092.5	6.10	5.12	4.17	2.20	0.43	12	1.77	7.44	1.26	M36X2
66,138.7	7.09	5.91	4.92	2.95	0.51	12	2.28	8.37	1.26	M42X2
110,231.1	8.07	6.50	4.92	2.95	0.51	16	2.52	9.37	1.26	M42X2
220,462.3	11.02	8.98	7.17	4.65	0.67	16	3.54	12.70	1.89	M70X3
330,693.4; 440,924.5	11.65	10.08	8.78	5.24	0.87	16	4.72	13.33	1.89	M90X3
661,386.8	13.62	11.10	9.53	6.85	1.02	16	7.09	15.30	1.89	M120X3

### SPECIFICATIONS

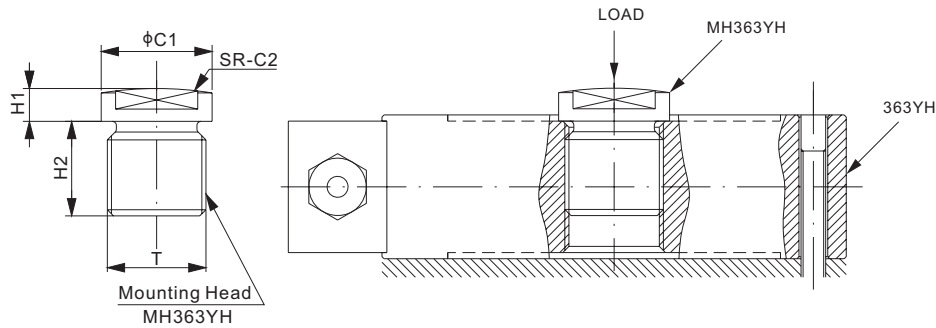
<b>Full Scale Output</b>	2.0 mV/V ± 1%	<b>Recommended Excitation</b>	10V (15V Maximum)
<b>Zero Balance</b>	< ± 0.02 mV/V	<b>Insulation Resistance</b>	> 2 [ 50V DC ] GΩ
<b>Non-linearity</b>	Cap. ≤ 5t: < ± 0.050%; Cap. ≥ 10t: < ± 0.30%	<b>Compensated Temperature Range</b>	-10°C to 50°C / 14°F to 122°F
<b>Repeatability</b>	Cap. ≤ 5t: < ± 0.030%; Cap. ≥ 10t: < ± 0.20%	<b>Safe Overload</b>	150% of full scale
<b>Hysteresis Error</b>	Cap. ≤ 5t: < ± 0.050%; Cap. ≥ 10t: < ± 0.30%	<b>Breaking Overload</b>	300% of full scale
<b>Creep in 30 min.</b>	Cap. ≤ 5t: < ± 0.050%; Cap. ≥ 10t: < ± 0.10%	<b>Seal Type / IP Rating</b>	Welded Seal / IP67
<b>Input Resistance</b>	770Ω ± 30	<b>Cable Color Code</b>	Exc+ Red    Exc- Black Sig+ Green    Sig- White Shield Bare
<b>Output Resistance</b>	700Ω ± 5		
<b>Element Material</b>	Alloy Steel, Nickel Plated		

### PART NUMBER\*

Rated Capacity	Part No.	Weight Approx. (kg)
1t.....	363YH-1t.....	2.8
2t.....	363YH-2t.....	2.8
3t.....	363YH-3t.....	2.8
5t.....	363YH-5t.....	2.8
10t.....	363YH-10t.....	5.5
20t.....	363YH-20t.....	5.5
30t.....	363YH-30t.....	12.4
50t.....	363YH-50t.....	16.8
100t.....	363YH-100t.....	40.6
150t.....	363YH-150t.....	51.0
200t.....	363YH-200t.....	51.0
300t.....	363YH-300t.....	97.2

\* ATEX, FM, IECEx approved versions carry the "-Ex" suffix.

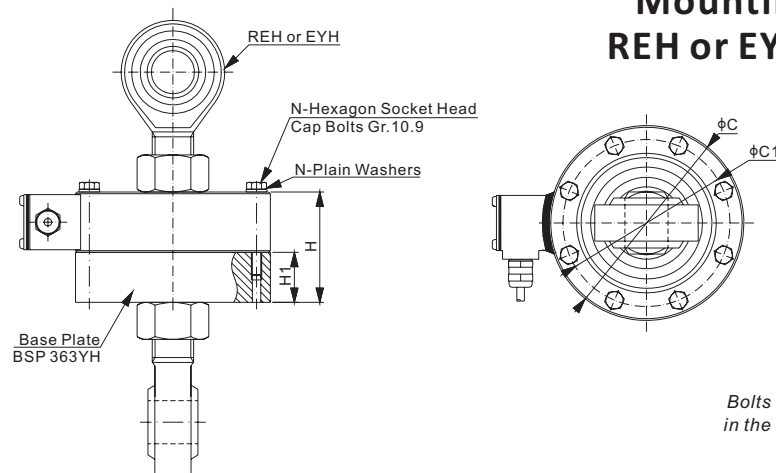
## Mounting Variation 1, Alloy Steel MH363YH



### DIMENSIONS

PART NUMBER	LOAD CELL CAPACITY	C1	C2	H1	H2	T	Weight Approx. (kg)
	<b>t/mm</b>						
MH363YH-(1-5)t	1-5	27.0	85.0	8.0	25.0	M24X2	-
MH363YH-(10-20)t	10; 20	45.0	150.0	22.0	38.0	M36X2	-
MH363YH-30t	30	54.0	180.0	32.0	48.0	M42X2	0.97
MH363YH-50t	50	64.0	200.0	42.0	54.0	M42X2	-
MH363YH-100t	100	102.0	300.0	48.0	79.0	M70X3	-
MH363YH-(150-200)t	150; 200	136.0	300.0	60.0	79.0	M90X3	-
MH363YH-300t	300	160.0	500.0	80.0	90.0	M120X3	-
	<b>lb/inches (conversion of above dimensions)</b>						
MH363YH-(1-5)t	2,204.6-11,023.1	1.06	3.35	0.31	0.98	M24X2	-
MH363YH-(10-20)t	22,046.2; 44,092.5	1.77	5.91	0.87	1.50	M36X2	-
MH363YH-30t	66,138.7	2.13	7.09	1.26	1.89	M42X2	0.97
MH363YH-50t	110,231.1	2.52	7.87	1.65	2.13	M42X2	-
MH363YH-100t	220,462.3	4.02	11.81	1.89	3.11	M70X3	-
MH363YH-(150-200)t	330,693.4; 440,924.5	5.35	11.81	2.36	3.11	M90X3	-
MH363YH-300t	661,386.8	6.30	19.69	3.15	3.54	M120X3	-

## Mounting Variation 2 REH or EYH+ BSP363YH



Bolts & plain washers are included in the set of Base Plate BSP363YH

### DIMENSIONS

PART NUMBER	LOAD CELL CAPACITY	C	C1	H	H1	N	Matching Bolts	Matching REH or EYH	Weight Approx. (kg)
	<b>t/mm</b>								
BSP363YH-(1-5)t	1-5	113.0	97.0	64.0	29.0	8	M6X50	REH-M24	-
BSP363YH-(10-20)t	10; 20	155.0	130.0	90.0	45.0	12	M10X60	EYH-M36	-
	<b>lb/inches (conversion of above dimensions)</b>								
BSP363YH-(1-5)t	2,204.6-11,023.1	4.45	3.82	2.52	1.14	8	M6X50	REH-M24	-
BSP363YH-(10-20)t	22,046.2; 44,092.5	6.10	5.12	3.54	1.77	12	M10X60	EYH-M36	-

## Product Datasheet Disclaimer

### **Information Changes:**

All product specifications, statements, information, and data (collectively, the “Information”) in this catalog or made available elsewhere by ANYLOAD are subject to change. Customers must verify the applicability of the Information at the time of order placement.

### **Accuracy and Reliability:**

While all Information is believed to be accurate and reliable, it is presented without guarantee, warranty, or responsibility of any kind, expressed or implied.

### **Laboratory Conditions:**

Data listed in the datasheet is produced within controlled laboratory settings and may not be reproducible without exact replication of all metrological conditions. Users must validate that a product with the described properties is suitable for their applications.

### **Interchangeability:**

Statements of interchangeability with other manufacturers are based on ANYLOAD’s knowledge at the time of publication and are not intended to constitute any warranty concerning the substitutability of an ANYLOAD product with one made by another Manufacturer.

### **Warranty Voidance:**

Any use of the product outside of specifications or any storage or installation inconsistent with product guidance voids any warranty.

### **Intended Use:**

The information is intended for use only by customers who have the requisite experience and capability to determine the correct products for their application. ANYLOAD provides technical advice without obligation or liability for the advice given or results obtained.

### **Component Failures:**

Although ANYLOAD designs and manufactures its products to stringent quality and safety standards, isolated component failures may still occur. Applications requiring high reliability or safety should employ suitable designs or safeguards to ensure that component failure does not result in personal injury or property damage.

### **High-Risk Applications:**

Unless specifically agreed to in writing, ANYLOAD has not tested or certified its products, services, or deliverables for use in high-risk applications (e.g., medical life support, nuclear facilities, weapon systems). ANYLOAD makes no assurances that the products are suitable for high-risk uses. Under no circumstances does ANYLOAD warrant or guarantee suitability for any customer design or manufacturing process.


Contact authorized ANYLOAD personnel for special terms and conditions regarding products designed for specific safety requirements.

### **Safety Measures:**

All product-related warnings, cautions, and notes must be observed. Customers should not assume that all safety measures are indicated or that other measures may not be required.

---

### **California Proposition 65:**

 **WARNING:** Some products manufactured or distributed by ANYLOAD may contain trace amounts of chemicals known to the State of California to cause cancer, birth defects, or other reproductive harm. These substances are present in minimal quantities and are typically encapsulated within our products. This warning is provided to enable you to make informed decisions as a consumer.