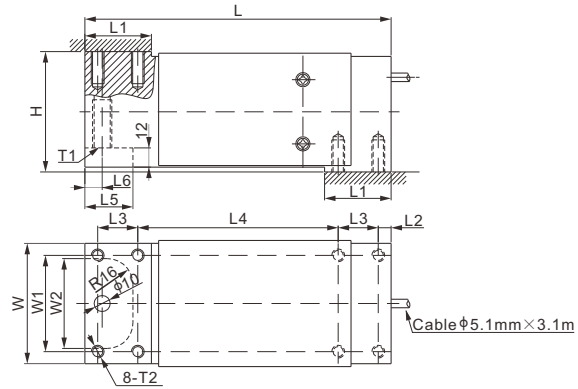


108UA; 108UAUN



Aluminum



DIMENSIONS

RATED CAPACITY	H	L	L1	L2	L3	L4	L5	L6	W	W1	W2	T1	T2
108UA: kg/mm 50-1,000	75.0	191.0	41.5	8.0	25.0	125.0	30.0	10.8	75.0	60.0	56.0	M12 Depth30	M8 Depth20
lb/inches (conversion of above dimensions) 110.2-2,204.6	2.95	7.52	1.63	0.31	0.98	4.92	1.18	0.43	2.89	2.36	2.20	M12 Depth1.2	M8 Depth0.8
108UAUN: kg/mm 30-1,500	75.0	191.0	41.5	8.0	25.0	125.0	30.0	10.8	75.0	60.0	56.0	1/2 -20 UNF Depth30	5/16 -18 UNC Depth20
lb/inches (conversion of above dimensions) 66.1-3,306.9	2.95	7.52	1.63	0.31	0.98	4.92	1.18	0.43	2.89	2.36	2.20	1/2 -20 UNF Depth1.2	5/16 -18 UNC Depth0.8

SPECIFICATIONS

Full Scale Output	2.0 mV/V ± 10%; 108UAUN-300kg-01:2.0 mV/V ± 0.1%	Recommended Excitation	10V (15V Maximum)
Zero Balance	± 0.02 mV/V	Reference Max.Platform Size	750×750 mm
Non-linearity	< ± 0.017%	Insulation Resistance	>2 [50V DC] GΩ
Repeatability	< ± 0.017%	Nominal Temperature Range	-10°C to 40°C / 14°F to 104°F
Hysteresis Error	< ± 0.017%	Safe Overload	150% of full scale
Creep in 30 min.	< ± 0.023%	Breaking Overload	300% of full scale
Input Resistance	415 Ω ± 15	Seal Type / IP Rating	Environmentally Sealed / IP66
Output Resistance	350 Ω ± 3	Cable Color Code	Exc+ Red Exc- Black Sig+ Green Sig- White Shield Bare
Element Material	Aluminum, Clear Anodized		

PART NUMBER*

Rated Capacity	Part No.	Weight Approx. (kg)
30kg	108UAUN-30kg-NP	2.7
50kg	108UA-50kg	2.7
	108UAUN-50kg	2.7
100kg	108UA-100kg	2.7
	108UAUN-100kg	2.7
150kg	108UA-150kg	2.7
	108UAUN-150kg	2.7
200kg	108UA-200kg	2.7
	108UAUN-200kg	2.7
300kg	108UA-300kg	2.7
	108UAUN-300kg	2.7
	108UAUN-300kg-01	2.7
500kg	108UA-500kg	2.7
	108UAUN-500kg	2.7
635kg	108UA-635kg	2.7
	108UAUN-635kg	2.7
700kg	108UA-700kg	2.7
	108UAUN-700kg	2.7
1t	108UA-1t	2.7
	108UAUN-1t	2.7
1.5t	108UAUN-1.5t	2.7

INTERCHANGEABLE REFERENCE

108UA Brand	Model
Cardinal	CHB*
108UAUN Brand	Model
ANYLOAD	651BAUN
Coti Global	CG-50
FLINTEC	PCB**
HBM	PW12B
HBM	PW12
Rice Lake	RL1250
Rice Lake	RL1218A
Vishay Celtron	LOC
Vishay Revere Transducers	652
Vishay Sensortronics	60060
Vishay TedeA-Huntleigh	1250

* Cardinal CHB is of metric threaded holes, without U-shaped plate.
** Flintec PCB is of stainless steel construction, hermetically sealed Flintec PCB has 3 version: PCB, PCBB, PCBC, Anyload's 108UAUN is interchangeable to PCB version.

30kg-500kg: NTEP 1:5 000 Class III, Single Cell;
635kg-1.5t: NTEP 1:4 000 Class III, Single Cell

30kg: OIML-CS C7.5, Y=20 000;
50kg-500kg: OIML-CS C6, Y=29 000;
635kg-1.5t: OIML-CS C4, Y=4 000

* ATEX, FM, IECEx approved versions carry the "-Ex" suffix.
For further available P/N's & specifications per NTEP/OIML classes, please contact us.

www.anyload.com

© 2026 ANYLOAD V2 • dimensions and specifications subject to change without notice

Product Datasheet Disclaimer

Information Changes:

All product specifications, statements, information, and data (collectively, the “Information”) in this catalog or made available elsewhere by ANYLOAD are subject to change. Customers must verify the applicability of the Information at the time of order placement.

Accuracy and Reliability:

While all Information is believed to be accurate and reliable, it is presented without guarantee, warranty, or responsibility of any kind, expressed or implied.

Laboratory Conditions:

Data listed in the datasheet is produced within controlled laboratory settings and may not be reproducible without exact replication of all metrological conditions. Users must validate that a product with the described properties is suitable for their applications.

Interchangeability:

Statements of interchangeability with other manufacturers are based on ANYLOAD’s knowledge at the time of publication and are not intended to constitute any warranty concerning the substitutability of an ANYLOAD product with one made by another Manufacturer.

Warranty Voidance:

Any use of the product outside of specifications or any storage or installation inconsistent with product guidance voids any warranty.

Intended Use:

The information is intended for use only by customers who have the requisite experience and capability to determine the correct products for their application. ANYLOAD provides technical advice without obligation or liability for the advice given or results obtained.

Component Failures:

Although ANYLOAD designs and manufactures its products to stringent quality and safety standards, isolated component failures may still occur. Applications requiring high reliability or safety should employ suitable designs or safeguards to ensure that component failure does not result in personal injury or property damage.

High-Risk Applications:

Unless specifically agreed to in writing, ANYLOAD has not tested or certified its products, services, or deliverables for use in high-risk applications (e.g., medical life support, nuclear facilities, weapon systems). ANYLOAD makes no assurances that the products are suitable for high-risk uses. Under no circumstances does ANYLOAD warrant or guarantee suitability for any customer design or manufacturing process.

Contact authorized ANYLOAD personnel for special terms and conditions regarding products designed for specific safety requirements.

Safety Measures:

All product-related warnings, cautions, and notes must be observed. Customers should not assume that all safety measures are indicated or that other measures may not be required.

California Proposition 65:

⚠ WARNING: Some products manufactured or distributed by ANYLOAD may contain trace amounts of chemicals known to the State of California to cause cancer, birth defects, or other reproductive harm. These substances are present in minimal quantities and are typically encapsulated within our products. This warning is provided to enable you to make informed decisions as a consumer.