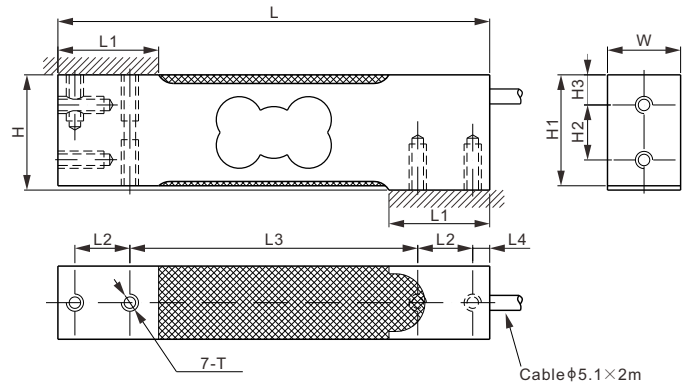
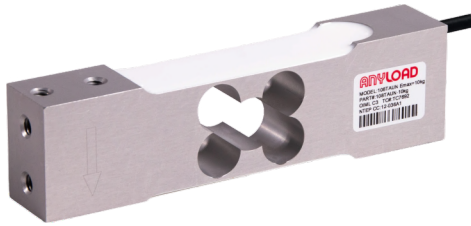


108TA; 108TAUN



Aluminum



DIMENSIONS

RATED CAPACITY	H	H1	H2	H3	L	L1	L2	L3	L4	W	T
108TA, 108TA-A1, 108TA-A2: kg/mm											
3-200	40.0	38.5	19.1	10.5	150.0	35.0	19.1	100.0	5.9	25.4	M6 Depth16
lb/inches (conversion of above dimensions)											
6.61-440.92	1.57	1.52	0.75	0.41	5.91	1.38	0.75	3.94	0.23	1.00	M6 Depth0.6
108TAUN, 108TAUN-A1, 108TAUN-A2: kg/mm											
3-200	40.0	38.5	19.1	10.5	150.0	35.0	19.1	100.0	5.9	25.4	1/4-20UNC-2B Depth16
lb/inches (conversion of above dimensions)											
6.61-440.92	1.57	1.52	0.75	0.41	5.91	1.38	0.75	3.94	0.23	1.00	1/4-20UNC-2B Depth0.6

SPECIFICATIONS

Maximum Capacity (E _{max})	kg	3-200	5-200	5-200
Accuracy class according to NTEP Class III S		1:3000	1:4000	1:5000
Maximum number or verification interval (n _{max})		3000	4000	5000
Y			12300	
Temperature effect on zero balance	%*Cn/K		± 0.00114	
Temperature effect on sensitivity	%*Cn/K	± 0.0012	± 0.000875	± 0.0007
Non-linearity	%*Cn	± 0.017	± 0.010	± 0.0075
Hysteresis Error	%*Cn	± 0.017	± 0.012	± 0.010
Creep error (30min)/DR	%*Cn	± 0.017	± 0.012	± 0.010
Full Scale Output (C _n)	mV/V		2 ± 10%	
Zero Balance	mV/V		± 0.02	
Recommended Voltage	V		10 (15 Maximum)	
Input Resistance	Ω		415 ± 15	
Output Resistance	Ω		350 ± 3	
Insulation Resistance [50V DC]	GΩ		>2	
Safe Overload [Elim]	%*E _{max}		150	
Breaking Overload	%*E _{max}		300	
Safe Side Load	%*E _{max}		100	
Nominal Temperature Range	°C / °F		-10 to 40 / 14 to 104	
Element Material			Aluminum, Clear Anodized	
Seal Type / IP Rating			Environmentally Sealed / IP66	
Cable Color Code			Exc+ Red Exc- Black Sig+ Green Sig- White	

SINGLE POINTS

PART NUMBER*

Metric thread, 1:3000 accuracy

Rated Capacity	Part No.	Weight Approx. (kg)
3kg	108TA-3kg	0.4
5kg	108TA-5kg	0.4
7kg	108TA-7kg	0.4
10kg	108TA-10kg	0.4
15kg	108TA-15kg	0.4
20kg	108TA-20kg	0.4
30kg	108TA-30kg	0.4
50kg	108TA-50kg	0.4
75kg	108TA-75kg	0.4
100kg	108TA-100kg	0.4
150kg	108TA-150kg	0.4
200kg	108TA-200kg	0.4

Metric thread, 1:4000 accuracy

Rated Capacity	Part No.	Weight Approx. (kg)
5kg	108TA-5kg-A1	0.4
7kg	108TA-7kg-A1	0.4
10kg	108TA-10kg-A1	0.4
15kg	108TA-15kg-A1	0.4
20kg	108TA-20kg-A1	0.4
30kg	108TA-30kg-A1	0.4
50kg	108TA-50kg-A1	0.4
75kg	108TA-75kg-A1	0.4
100kg	108TA-100kg-A1	0.4
150kg	108TA-150kg-A1	0.4
200kg	108TA-200kg-A1	0.4

Metric thread, 1:5000 accuracy


Rated Capacity	Part No.	Weight Approx. (kg)
5kg	108TA-5kg-A2	0.4
7kg	108TA-7kg-A2	0.4
10kg	108TA-10kg-A2	0.4
15kg	108TA-15kg-A2	0.4
20kg	108TA-20kg-A2	0.4
30kg	108TA-30kg-A2	0.4
50kg	108TA-50kg-A2	0.4
75kg	108TA-75kg-A2	0.4
100kg	108TA-100kg-A2	0.4
150kg	108TA-150kg-A2	0.4
200kg	108TA-200kg-A2	0.4


* ATEX, FM, IECEx approved versions carry the "-Ex" suffix.


INTERCHANGEABLE PRODUCTS

Brand	Model
108TA	
Flintec	PC42 (20-150kg)*
Vishay Revere Transducers	642C
Vishay Tedeia-Huntleigh	1042(metric threads)

* Flintec PC42 has a M8 mounting hole

 NTEP 1:5 000 Class III, Single Cell

 3kg: OIML C3

 5kg-30kg: OIML-CS C7.5, Y=20 000;
50kg-200kg: OIML-CS C6, Y=29 000

For further definition of P/N's & specifications per NTEP/OIML classes, please contact us.

PART NUMBER*

Imperial thread, 1:3000 accuracy

Rated Capacity	Part No.	Weight Approx. (kg)
3kg	108TAUN-3kg	0.4
5kg	108TAUN-5kg	0.4
7kg	108TAUN-7kg	0.4
10kg	108TAUN-10kg	0.4
15kg	108TAUN-15kg	0.4
20kg	108TAUN-20kg	0.4
30kg	108TAUN-30kg	0.4
50kg	108TAUN-50kg	0.4
75kg	108TAUN-75kg	0.4
100kg	108TAUN-100kg	0.4
150kg	108TAUN-150kg	0.4
200kg	108TAUN-200kg	0.4

Imperial thread, 1:4000 accuracy

Rated Capacity	Part No.	Weight Approx. (kg)
5kg	108TAUN-5kg-A1	0.4
7kg	108TAUN-7kg-A1	0.4
10kg	108TAUN-10kg-A1	0.4
15kg	108TAUN-15kg-A1	0.4
20kg	108TAUN-20kg-A1	0.4
30kg	108TAUN-30kg-A1	0.4
50kg	108TAUN-50kg-A1	0.4
75kg	108TAUN-75kg-A1	0.4
100kg	108TAUN-100kg-A1	0.4
150kg	108TAUN-150kg-A1	0.4
200kg	108TAUN-200kg-A1	0.4

Imperial thread, 1:5000 accuracy

Rated Capacity	Part No.	Weight Approx. (kg)
5kg	108TAUN-5kg-A2	0.4
7kg	108TAUN-7kg-A2	0.4
10kg	108TAUN-10kg-A2	0.4
15kg	108TAUN-15kg-A2	0.4
20kg	108TAUN-20kg-A2	0.4
30kg	108TAUN-30kg-A2	0.4
50kg	108TAUN-50kg-A2	0.4
75kg	108TAUN-75kg-A2	0.4
100kg	108TAUN-100kg-A2	0.4
150kg	108TAUN-150kg-A2	0.4
200kg	108TAUN-200kg-A2	0.4

INTERCHANGEABLE PRODUCTS

Brand	Model
108TAUN	
Cardinal	TSP
Coti Global	CG-42
HBM	SP4
Rice Lake	RL1042
Rice Lake	RLSP4
Rice Lake	RL42018A
Vishay Revere Transducers	642
Vishay Tedeia-Huntleigh	1042(imperial threads)

Product Datasheet Disclaimer

Information Changes:

All product specifications, statements, information, and data (collectively, the “Information”) in this catalog or made available elsewhere by ANYLOAD are subject to change. Customers must verify the applicability of the Information at the time of order placement.

Accuracy and Reliability:

While all Information is believed to be accurate and reliable, it is presented without guarantee, warranty, or responsibility of any kind, expressed or implied.

Laboratory Conditions:

Data listed in the datasheet is produced within controlled laboratory settings and may not be reproducible without exact replication of all metrological conditions. Users must validate that a product with the described properties is suitable for their applications.

Interchangeability:

Statements of interchangeability with other manufacturers are based on ANYLOAD’s knowledge at the time of publication and are not intended to constitute any warranty concerning the substitutability of an ANYLOAD product with one made by another Manufacturer.

Warranty Voidance:

Any use of the product outside of specifications or any storage or installation inconsistent with product guidance voids any warranty.

Intended Use:

The information is intended for use only by customers who have the requisite experience and capability to determine the correct products for their application. ANYLOAD provides technical advice without obligation or liability for the advice given or results obtained.

Component Failures:

Although ANYLOAD designs and manufactures its products to stringent quality and safety standards, isolated component failures may still occur. Applications requiring high reliability or safety should employ suitable designs or safeguards to ensure that component failure does not result in personal injury or property damage.

High-Risk Applications:

Unless specifically agreed to in writing, ANYLOAD has not tested or certified its products, services, or deliverables for use in high-risk applications (e.g., medical life support, nuclear facilities, weapon systems). ANYLOAD makes no assurances that the products are suitable for high-risk uses. Under no circumstances does ANYLOAD warrant or guarantee suitability for any customer design or manufacturing process.

Contact authorized ANYLOAD personnel for special terms and conditions regarding products designed for specific safety requirements.

Safety Measures:

All product-related warnings, cautions, and notes must be observed. Customers should not assume that all safety measures are indicated or that other measures may not be required.

California Proposition 65:

⚠ WARNING: Some products manufactured or distributed by ANYLOAD may contain trace amounts of chemicals known to the State of California to cause cancer, birth defects, or other reproductive harm. These substances are present in minimal quantities and are typically encapsulated within our products. This warning is provided to enable you to make informed decisions as a consumer.