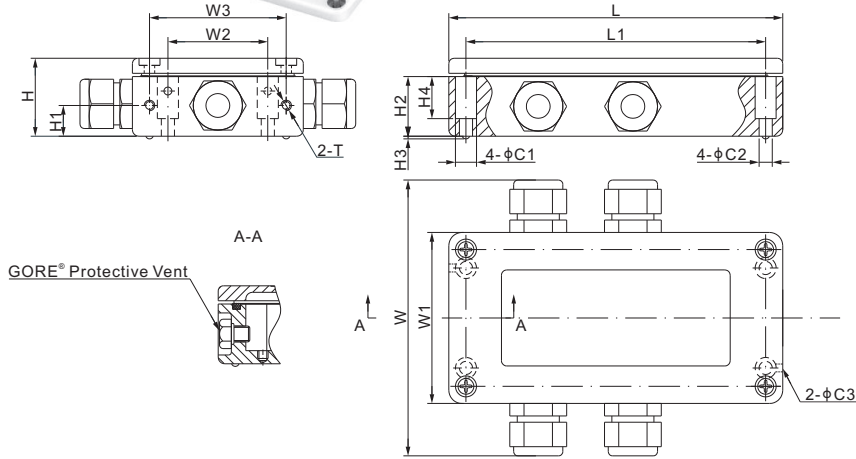


Features:

- Compact size with strong aluminum casting
- Can drive up to 8 x350Ω load cells
- Can be connected directly to 1 or 2 load cells or connected to several load cells through a junction box
- Preinstalled GORE[®] breather vent
- Capative stainless steel screws (attached to the cover)

AMPLIFIERS



DIMENSIONS

	C1	C2	C3	H	H1	H2	H3	H4	L	L1	W	W1	W2	W3	T
mm	8.0	5.0	3.0	29	11.7	22.7	1.0	16	127	114	102	65	38	52	M4 Depth7
inches	0.31	0.2	0.12	1.14	0.46	0.89	0.04	0.63	5.0	4.49	4.02	2.56	1.5	2.05	M4 Depth0.28

SPECIFICATIONS

Load Cell Type		All strain gage type	Linearity		better than 0.02%
Power Supply	V DC	24 ± 20%	Max. Input Offset Voltage	μV	50
Input Range	mV	0 ± 36	Min. Common-mode Rejection Ratio (G=10)	dB	100
Max. Power	W	4.35	IP Rating		IP66
Output Signal	V	0 - 10 / 0 ± 10	Excitation voltage to load cell	V	5 or 12
	mA	4 - 20 (Adjustable ± 20%)	Tare Limit		Shall not exceed 30% of full load
Voltage Full Scale Temperature Drift	ppm/°C	80	Operating temperature range	°C / °F	-10 - 50 / 14 - 122
Current Full Scale Temperature Drift	ppm/°C	100			

PART NUMBER

Part No.	Shipping Weight (kg) Approx.
A2A-D2.....	0.5

CONNECTION DIAGRAM

